



## Internal Combustion Engine Counterbalance Truck

# H20 – H35

Capacity 2.0 – 3.5 t | Series 1202

### Robust Performer with All-Round Visibility

- Hydrostatic drive, dual pedal control and Linde Load Control enable efficient load handling
- Robust construction and maintenance-free components guarantee high truck availability
- Slim mast profiles, narrow A-pillar, lowered front plate and see-through roof ensure outstanding visibility
- Wireless data transmission aids effortless integration into software systems, e.g. for fleet management.
- The truck's low center of gravity and intelligent assistance systems reduce the risk of tipping and loading accidents



Here you can find more content via your smartphone: [Linde Augmented Reality App](#)



# TECHNICAL DATA (According to VDI 2198)

|                 | Technical Data                  |  |                      |                           |                           |                           |
|-----------------|---------------------------------|--|----------------------|---------------------------|---------------------------|---------------------------|
|                 | Code                            | Description                                      | Unit                 | H20 / 600 D               | H25 D                     | H25 / 600 D               |
| Characteristics | 1.1                             | Manufacturer                                     |                      | Linde                     | Linde                     | Linde                     |
|                 | 1.2                             | Model  |                      | H20 / 600 D               | H25 D                     | H25 / 600 D               |
|                 | 1.2a                            | Series   |                      | 1202                      | 1202                      | 1202                      |
|                 | 1.3                             | Power unit                                       |                      | Diesel                    | Diesel                    | Diesel                    |
|                 | 1.4                             | Operation  |                      | Seat                      | Seat                      | Seat                      |
|                 | 1.5                             | Load capacity/Load                               | Q (t)                | 2.00                      | 2.50                      | 2.50                      |
|                 | 1.6                             | Load centre distance                             | c (mm)               | 600                       | 500                       | 600                       |
|                 | 1.8                             | Axle centre to fork face                         | x (mm)               | 416.50                    | 416.50                    | 455.50                    |
|                 | 1.9                             | Wheelbase  | y (mm)               | 1865                      | 1905                      | 1905                      |
| Weights         | 2.1                             | Service weight                                   | (kg)                 | 3738                      | 3918                      | 4480                      |
|                 | 2.2                             | Axle load with load, front/rear                  | (kg)                 | 4916/822                  | 5560/858                  | 6001/979                  |
|                 | 2.3                             | Axle load without load, front/rear               | (kg)                 | 1826/1912                 | 1857/2061                 | 2116/2364                 |
| Wheels/Tyres    | 3.1                             | Tyres rubber, SE, pneumatic, polyurethane        |                      | SE                        | SE                        | SE                        |
|                 | 3.2                             | Tyre size, front                                 |                      | 225/75 - 10 (23 × 9 - 10) | 225/75 - 10 (23 × 9 - 10) | 250/75 - 12               |
|                 | 3.3                             | Tyre size, rear                                  |                      | 6.50 - 10                 | 6.50 - 10                 | 225/75 - 10 (23 × 9 - 10) |
|                 | 3.5                             | Wheels, number front/rear (x = driven)           |                      | 2x/2                      | 2x/2                      | 2x/2                      |
|                 | 3.6                             | Track width, front                               | b10 (mm)             | 972                       | 972                       | 1008                      |
|                 | 3.7                             | Track width, rear                                | b11 (mm)             | 961                       | 961                       | 961                       |
| Dimensions      | 4.1                             | Mast/fork carriage tilt, forward/backward        | a/b (°)              | 5.0/8.0                   | 5.0/8.0                   | 5.0/8.0                   |
|                 | 4.2                             | Height of mast, lowered                          | h1 (mm)              | 2288                      | 2288                      | 2330                      |
|                 | 4.3                             | Free lift  | h2 (mm)              | 150                       | 150                       | 150                       |
|                 | 4.4                             | Lift   | h3 (mm)              | 3230                      | 3230                      | 3295                      |
|                 | 4.5                             | Height of mast, extended                         | h4 (mm)              | 3901                      | 3901                      | 4061                      |
|                 | 4.7                             | Height of overhead guard (cabin)                 | h6 (mm)              | 2275                      | 2275                      | 2322                      |
|                 | 4.8                             | Height of seat/stand on platform                 | h7 (mm)              | 1074                      | 1074                      | 1119                      |
|                 | 4.12                            | Towing coupling height                           | h10 (mm)             | 621                       | 621                       | 668                       |
|                 | 4.19                            | Overall length                                   | l1 (mm)              | 3659                      | 3699                      | 3738                      |
|                 | 4.20                            | Length to fork face                              | l2 (mm)              | 2659                      | 2699                      | 2738                      |
|                 | 4.21                            | Overall width                                    | b1/b2 (mm)           | 1180/1176                 | 1180/1176                 | 1256/1176                 |
|                 | 4.22                            | Fork dimensions DIN ISO 2331                     | s/e/l (mm)           | 45 × 100 × 1000           | 45 × 100 × 1000           | 45 × 100 × 1000           |
|                 | 4.23                            | Fork carriage to ISO 2328, class/type A, B       |                      | 2A                        | 2A                        | 2A                        |
|                 | 4.24                            | Width of fork carriage                           | b3 (mm)              | 1150                      | 1150                      | 1150                      |
|                 | 4.31                            | Ground clearance, below mast                     | m1 (mm)              | 121                       | 121                       | 124                       |
|                 | 4.32                            | Ground clearance, centre of wheelbase            | m2 (mm)              | 130                       | 130                       | 177                       |
|                 | 4.34.1                          | Aisle width for pallets 1000 × 1200 crossways    | Ast (mm)             | 3990 <sup>1)</sup>        | 4032 <sup>1)</sup>        | 4071 <sup>1)</sup>        |
|                 | 4.34.2                          | Aisle width with pallet 800 × 1200 along forks   | Ast (mm)             | 4190 <sup>1)</sup>        | 4232 <sup>1)</sup>        | 4271 <sup>1)</sup>        |
|                 | 4.35                            | Turning radius                                   | Wa (mm)              | 2373                      | 2415                      | 2415                      |
| 4.36            | Minimum pivoting point distance | b13 (mm)   | 645                  | 659                       | 659                       |                           |
| Performance     | 5.1                             | Travel speed, with/without load                  | (km/h)               | 22/22                     | 22/22                     | 22/22                     |
|                 | 5.2                             | Lifting speed, with/without load                 | (m/s)                | 0.53/0.55                 | 0.53/0.55                 | 0.53/0.56                 |
|                 | 5.3                             | Lowering speed, with/without load                | (m/s)                | 0.56/0.56                 | 0.56/0.56                 | 0.56/0.56                 |
|                 | 5.5                             | Tractive force, with/without load                | (N)                  | 14.553/14.330             | 14.420/14.575             | 19.722/16.611             |
|                 | 5.7                             | Climbing ability, with/without load              | (%)                  | 28.0/34.0                 | 24.0/31.0                 | 32.0/33.0                 |
|                 | 5.9                             | Acceleration time, with/without load             | (s)                  | 5.6/5.1                   | 5.8/5.1                   | 5.4/4.6                   |
|                 | 5.10                            | Service brake                                    |                      | hydrostatic               | hydrostatic               | hydrostatic               |
| Drive           | 7.1                             | Engine manufacturer/type                         |                      | Deutz TCD 2.2 L3          | Deutz TCD 2.2 L3          | Deutz TCD 2.2 L3          |
|                 | 7.2                             | Engine performance according to DIN ISO 1585     | (kW)                 | 30                        | 30                        | 45                        |
|                 | 7.3                             | Rated speed                                      | (1/min)              | 2300                      | 2300                      | 2100                      |
|                 | 7.4                             | Number of cylinders/displacement                 | (-/cm <sup>3</sup> ) | 3/2194                    | 3/2194                    | 3/2194                    |
|                 | 7.5 c                           | Fuel consumption in accordance with EN 16796     | (l/h)                | 2.5                       | 2.7                       | 2.9                       |
|                 | 7.5 d                           | Fuel consumption in accordance with EN 16796     | (kg/h)               |                           |                           |                           |
| Others          | 8.1                             | Type of drive unit                               |                      | hydrostatic/stepless      | hydrostatic/stepless      | hydrostatic/stepless      |
|                 | 10.1                            | Operating pressure for attachments               | (bar)                | 200                       | 230                       | 200                       |
|                 | 10.2                            | Oil flow for attachments                         | (l/min)              | 50                        | 50                        | 50                        |
|                 | 10.7                            | Sound pressure level LpAz (at the driver's seat) | (dB(A))              | 79                        | 79                        | 79                        |
|                 | 10.8                            | Towing coupling, design/type, DIN 15 170         |                      | similar to form H         | similar to form H         | similar to form H         |

1) Including a 200 mm operating aisle clearance

# TECHNICAL DATA (According to VDI 2198)

|                 | Technical Data                  |  |                      |                           |                           |                           |
|-----------------|---------------------------------|--|----------------------|---------------------------|---------------------------|---------------------------|
|                 | 1.1                             | 1.2  | 1.2a                 | 1.3                       | 1.4                       | 1.5                       |
| Characteristics | 1.1                             | Manufacturer                                     |                      | Linde                     | Linde                     | Linde                     |
|                 | 1.2                             | <b>Model</b>                                     |                      | <b>H30 D</b>              | <b>H35 D</b>              | <b>H20 / 600 T</b>        |
|                 | 1.2a                            | Series   |                      | 1202                      | 1202                      | 1202                      |
|                 | 1.3                             | Power unit                                       |                      | Diesel                    | Diesel                    | LPG                       |
|                 | 1.4                             | Operation  |                      | Seat                      | Seat                      | Seat                      |
|                 | 1.5                             | Load capacity/Load                               | Q (t)                | 3.00                      | 3.50                      | 2.00                      |
|                 | 1.6                             | Load centre distance                             | c (mm)               | 500                       | 500                       | 600                       |
|                 | 1.8                             | Axle centre to fork face                         | x (mm)               | 448.50                    | 453.50                    | 416.50                    |
|                 | 1.9                             | Wheelbase  | y (mm)               | 1930                      | 1965                      | 1865                      |
| Weights         | 2.1                             | Service weight                                   | (kg)                 | 4635                      | 4978                      | 3712                      |
|                 | 2.2                             | Axle load with load, front/rear                  | (kg)                 | 6657/978                  | 7487/991                  | 4885/827                  |
|                 | 2.3                             | Axle load without load, front/rear               | (kg)                 | 2183/2452                 | 2289/2689                 | 1795/1917                 |
| Wheels/Tyres    | 3.1                             | Tyres rubber, SE, pneumatic, polyurethane        |                      | SE                        | SE                        | SE                        |
|                 | 3.2                             | Tyre size, front                                 |                      | 250/75 - 12               | 250/75 - 12               | 225/75 - 10 (23 × 9 - 10) |
|                 | 3.3                             | Tyre size, rear                                  |                      | 225/75 - 10 (23 × 9 - 10) | 225/75 - 10 (23 × 9 - 10) | 6.50 - 10                 |
|                 | 3.5                             | Wheels, number front/rear (x = driven)           |                      | 2x/2                      | 2x/2                      | 2x/2                      |
|                 | 3.6                             | Track width, front                               | b10 (mm)             | 1008                      | 1008                      | 972                       |
|                 | 3.7                             | Track width, rear                                | b11 (mm)             | 961                       | 961                       | 961                       |
| Dimensions      | 4.1                             | Mast/fork carriage tilt, forward/backward        | a/b (°)              | 5.0/8.0                   | 5.0/8.0                   | 5.0/8.0                   |
|                 | 4.2                             | Height of mast, lowered                          | h1 (mm)              | 2330                      | 2330                      | 2288                      |
|                 | 4.3                             | Free lift  | h2 (mm)              | 150                       | 150                       | 150                       |
|                 | 4.4                             | Lift   | h3 (mm)              | 3295                      | 3295                      | 3230                      |
|                 | 4.5                             | Height of mast, extended                         | h4 (mm)              | 4061                      | 4061                      | 3901                      |
|                 | 4.7                             | Height of overhead guard (cabin)                 | h6 (mm)              | 2322                      | 2322                      | 2275                      |
|                 | 4.8                             | Height of seat/stand on platform                 | h7 (mm)              | 1119                      | 1119                      | 1074                      |
|                 | 4.12                            | Towing coupling height                           | h10 (mm)             | 643                       | 643                       | 621                       |
|                 | 4.19                            | Overall length                                   | l1 (mm)              | 3756                      | 3796                      | 3659                      |
|                 | 4.20                            | Length to fork face                              | l2 (mm)              | 2756                      | 2796                      | 2659                      |
|                 | 4.21                            | Overall width                                    | b1/b2 (mm)           | 1256/1176                 | 1256/1176                 | 1180/1176                 |
|                 | 4.22                            | Fork dimensions DIN ISO 2331                     | s/e/l (mm)           | 45 × 100 × 1000           | 50 × 120 × 1000           | 45 × 100 × 1000           |
|                 | 4.23                            | Fork carriage to ISO 2328, class/type A, B       |                      | 3A                        | 3A                        | 2A                        |
|                 | 4.24                            | Width of fork carriage                           | b3 (mm)              | 1150                      | 1150                      | 1150                      |
|                 | 4.31                            | Ground clearance, below mast                     | m1 (mm)              | 123                       | 121                       | 121                       |
|                 | 4.32                            | Ground clearance, centre of wheelbase            | m2 (mm)              | 176                       | 175                       | 130                       |
|                 | 4.34.1                          | Aisle width for pallets 1000 × 1200 crossways    | Ast (mm)             | 4090 <sup>1)</sup>        | 4132 <sup>1)</sup>        | 3990 <sup>1)</sup>        |
|                 | 4.34.2                          | Aisle width with pallet 800 × 1200 along forks   | Ast (mm)             | 4290 <sup>1)</sup>        | 4332 <sup>1)</sup>        | 4190 <sup>1)</sup>        |
|                 | 4.35                            | Turning radius                                   | Wa (mm)              | 2441                      | 2478                      | 2373                      |
| 4.36            | Minimum pivoting point distance | b13 (mm)   | 668                  | 680                       | 645                       |                           |
| Performance     | 5.1                             | Travel speed, with/without load                  | (km/h)               | 22/22                     | 22/22                     | 22/22                     |
|                 | 5.2                             | Lifting speed, with/without load                 | (m/s)                | 0.53/0.56                 | 0.53/0.56                 | 0.53/0.55                 |
|                 | 5.3                             | Lowering speed, with/without load                | (m/s)                | 0.56/0.56                 | 0.56/0.56                 | 0.56/0.56                 |
|                 | 5.5                             | Tractive force, with/without load                | (N)                  | 19.593/17.132             | 19.428/17.973             | 14.558/14.089             |
|                 | 5.7                             | Climbing ability, with/without load              | (%)                  | 27.0/30.0                 | 27.0/30.0                 | 28.0/34.0                 |
|                 | 5.9                             | Acceleration time, with/without load             | (s)                  | 5.6/4.7                   | 5.8/4.9                   | 5.4/4.7                   |
|                 | 5.10                            | Service brake                                    |                      | hydrostatic               | hydrostatic               | hydrostatic               |
| Drive           | 7.1                             | Engine manufacturer/type                         |                      | Deutz TCD 2.2 L3          | Deutz TCD 2.2 L3          | Deutz G 2.2 L3            |
|                 | 7.2                             | Engine performance according to DIN ISO 1585     | (kW)                 | 45                        | 45                        | 36.4                      |
|                 | 7.3                             | Rated speed                                      | (1/min)              | 2100                      | 2100                      | 2300                      |
|                 | 7.4                             | Number of cylinders/displacement                 | (-/cm <sup>3</sup> ) | 3/2194                    | 3/2194                    | 3/2194                    |
|                 | 7.5 c                           | Fuel consumption in accordance with EN 16796     | (l/h)                | 3.0                       | 3.1                       |                           |
|                 | 7.5 d                           | Fuel consumption in accordance with EN 16796     | (kg/h)               |                           |                           | 2.3                       |
| Others          | 8.1                             | Type of drive unit                               |                      | hydrostatic/stepless      | hydrostatic/stepless      | hydrostatic/stepless      |
|                 | 10.1                            | Operating pressure for attachments               | (bar)                | 225                       | 245                       | 200                       |
|                 | 10.2                            | Oil flow for attachments                         | (l/min)              | 50                        | 50                        | 50                        |
|                 | 10.7                            | Sound pressure level LpAz (at the driver's seat) | (dB(A))              | 79                        | 79                        | 79                        |
|                 | 10.8                            | Towing coupling, design/type, DIN 15 170         |                      | similar to form H         | similar to form H         | similar to form H         |

1) Including a 200 mm operating aisle clearance

# TECHNICAL DATA (According to VDI 2198)

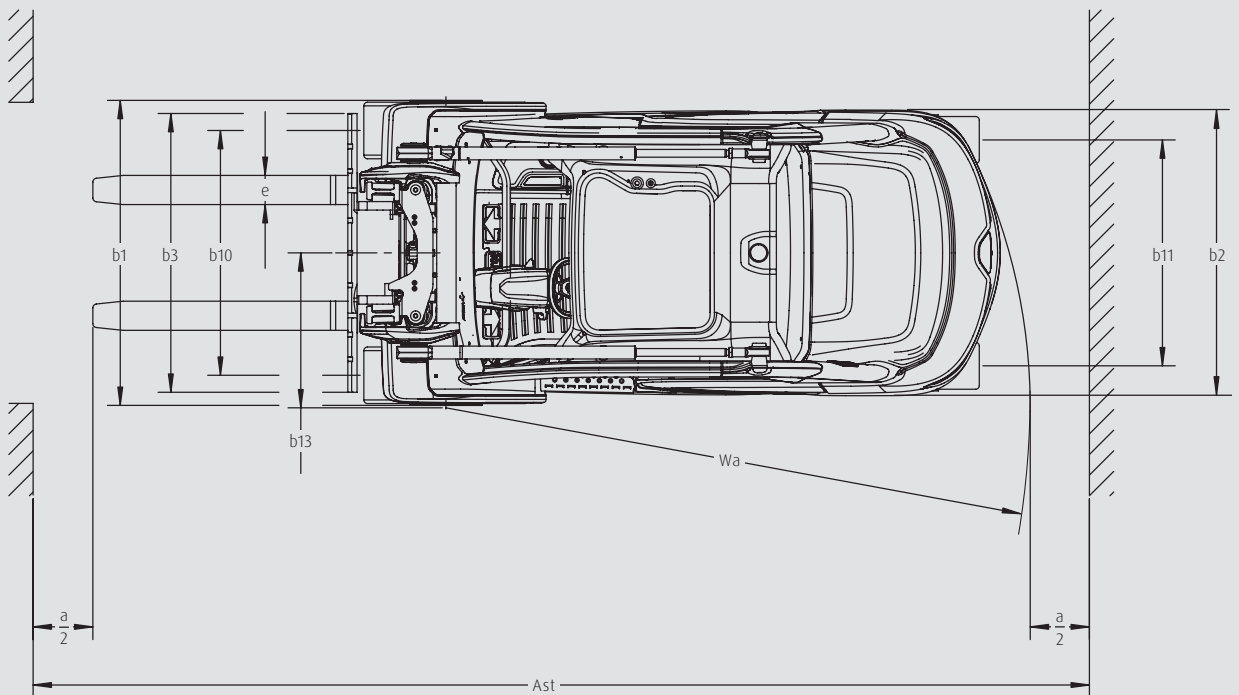
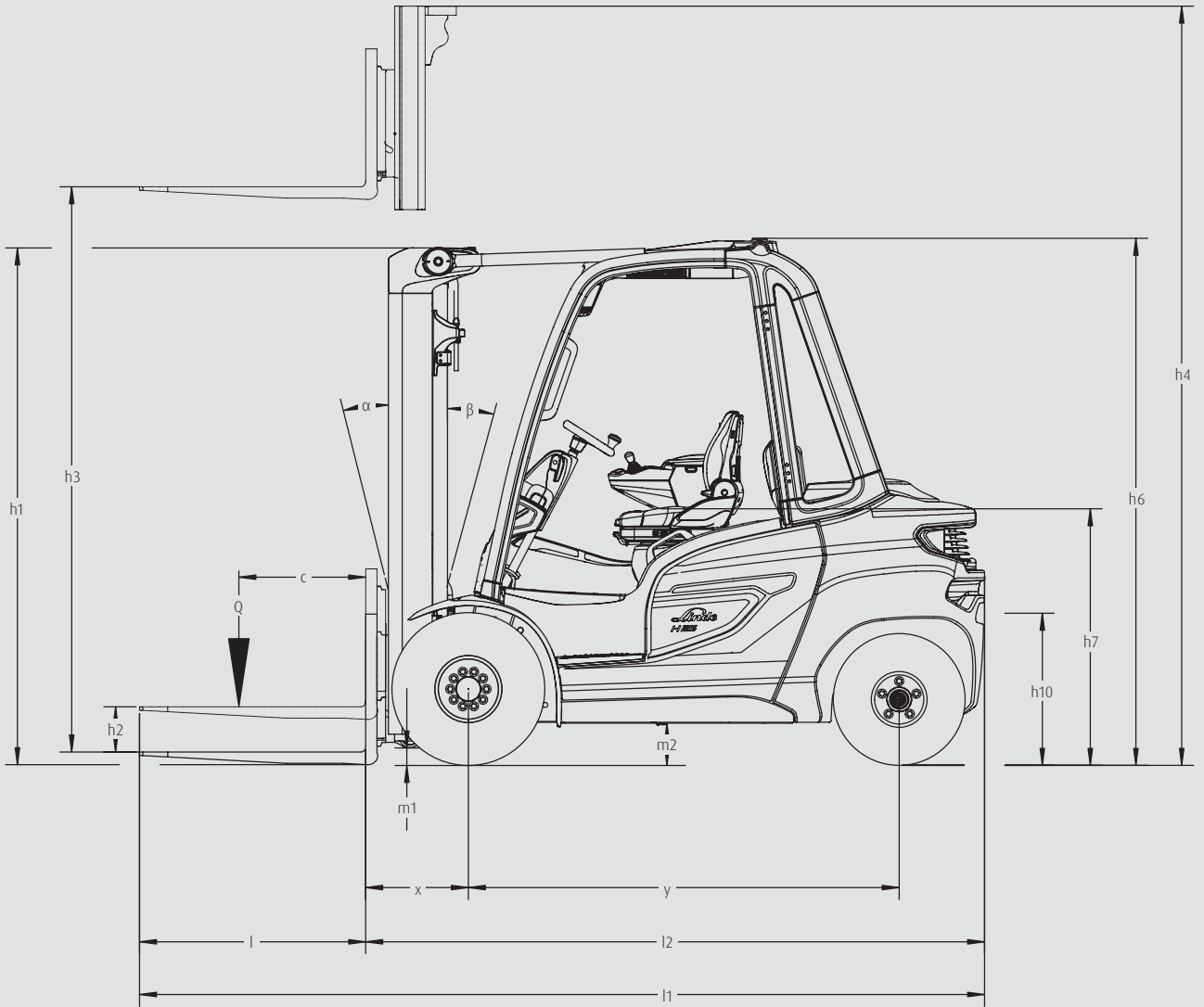
|                 | Model                           |  |                        |                             |                             |                             |
|-----------------|---------------------------------|--|------------------------|-----------------------------|-----------------------------|-----------------------------|
|                 | H25 T                           |  | H25 / 600 T            |                             | H30 T                       |                             |
| Characteristics | 1.1                             | Manufacturer                                     |                        | Linde                       | Linde                       | Linde                       |
|                 | 1.2                             | Model  |                        | H25 T                       | H25 / 600 T                 | H30 T                       |
|                 | 1.2a                            | Series   |                        | 1202                        | 1202                        | 1202                        |
|                 | 1.3                             | Power unit                                       |                        | LPG                         | LPG                         | LPG                         |
|                 | 1.4                             | Operation  |                        | Seat                        | Seat                        | Seat                        |
|                 | 1.5                             | Load capacity/Load                               | Q (t)                  | 2.50                        | 2.50                        | 3.00                        |
|                 | 1.6                             | Load centre distance                             | c (mm)                 | 500                         | 600                         | 500                         |
|                 | 1.8                             | Axle centre to fork face                         | x (mm)                 | 416.50                      | 455.50                      | 448.50                      |
|                 | 1.9                             | Wheelbase  | y (mm)                 | 1905                        | 1905                        | 1930                        |
| Weights         | 2.1                             | Service weight                                   | (kg)                   | 3891                        | 4453                        | 4609                        |
|                 | 2.2                             | Axle load with load, front/rear                  | (kg)                   | 5528 / 863                  | 5970 / 983                  | 6626 / 983                  |
|                 | 2.3                             | Axle load without load, front/rear               | (kg)                   | 1825 / 2066                 | 2085 / 2368                 | 2152 / 2457                 |
| Wheels/Tyres    | 3.1                             | Tyres rubber, SE, pneumatic, polyurethane        |                        | SE                          | SE                          | SE                          |
|                 | 3.2                             | Tyre size, front                                 |                        | 225 / 75 - 10 (23 × 9 - 10) | 250 / 75 - 12               | 250 / 75 - 12               |
|                 | 3.3                             | Tyre size, rear                                  |                        | 6.50 - 10                   | 225 / 75 - 10 (23 × 9 - 10) | 225 / 75 - 10 (23 × 9 - 10) |
|                 | 3.5                             | Wheels, number front/rear (x = driven)           |                        | 2x / 2                      | 2x / 2                      | 2x / 2                      |
|                 | 3.6                             | Track width, front                               | b10 (mm)               | 972                         | 1008                        | 1008                        |
|                 | 3.7                             | Track width, rear                                | b11 (mm)               | 961                         | 961                         | 961                         |
| Dimensions      | 4.1                             | Mast/fork carriage tilt, forward/backward        | a/b (°)                | 5.0 / 8.0                   | 5.0 / 8.0                   | 5.0 / 8.0                   |
|                 | 4.2                             | Height of mast, lowered                          | h1 (mm)                | 2288                        | 2330                        | 2330                        |
|                 | 4.3                             | Free lift  | h2 (mm)                | 150                         | 150                         | 150                         |
|                 | 4.4                             | Lift   | h3 (mm)                | 3230                        | 3295                        | 3295                        |
|                 | 4.5                             | Height of mast, extended                         | h4 (mm)                | 3901                        | 4061                        | 4061                        |
|                 | 4.7                             | Height of overhead guard (cabin)                 | h6 (mm)                | 2275                        | 2322                        | 2322                        |
|                 | 4.8                             | Height of seat/stand on platform                 | h7 (mm)                | 1074                        | 1119                        | 1119                        |
|                 | 4.12                            | Towing coupling height                           | h10 (mm)               | 621                         | 668                         | 643                         |
|                 | 4.19                            | Overall length                                   | l1 (mm)                | 3699                        | 3738                        | 3756                        |
|                 | 4.20                            | Length to fork face                              | l2 (mm)                | 2699                        | 2738                        | 2756                        |
|                 | 4.21                            | Overall width                                    | b1 / b2 (mm)           | 1180 / 1176                 | 1256 / 1176                 | 1256 / 1176                 |
|                 | 4.22                            | Fork dimensions DIN ISO 2331                     | s / e / l (mm)         | 45 × 100 × 1000             | 45 × 100 × 1000             | 45 × 100 × 1000             |
|                 | 4.23                            | Fork carriage to ISO 2328, class/type A, B       |                        | 2A                          | 2A                          | 3A                          |
|                 | 4.24                            | Width of fork carriage                           | b3 (mm)                | 1150                        | 1150                        | 1150                        |
|                 | 4.31                            | Ground clearance, below mast                     | m1 (mm)                | 121                         | 124                         | 123                         |
|                 | 4.32                            | Ground clearance, centre of wheelbase            | m2 (mm)                | 130                         | 177                         | 176                         |
|                 | 4.34.1                          | Aisle width for pallets 1000 × 1200 crossways    | Ast (mm)               | 4032 <sup>1)</sup>          | 4071 <sup>1)</sup>          | 4090 <sup>1)</sup>          |
|                 | 4.34.2                          | Aisle width with pallet 800 × 1200 along forks   | Ast (mm)               | 4232 <sup>1)</sup>          | 4271 <sup>1)</sup>          | 4290 <sup>1)</sup>          |
|                 | 4.35                            | Turning radius                                   | Wa (mm)                | 2415                        | 2415                        | 2441                        |
| 4.36            | Minimum pivoting point distance | b13 (mm)   | 659                    | 659                         | 668                         |                             |
| Performance     | 5.1                             | Travel speed, with/without load                  | (km/h)                 | 22 / 22                     | 22 / 22                     | 22 / 22                     |
|                 | 5.2                             | Lifting speed, with/without load                 | (m/s)                  | 0.53 / 0.55                 | 0.53 / 0.56                 | 0.53 / 0.56                 |
|                 | 5.3                             | Lowering speed, with/without load                | (m/s)                  | 0.56 / 0.56                 | 0.56 / 0.56                 | 0.56 / 0.56                 |
|                 | 5.5                             | Tractive force, with/without load                | (N)                    | 14.425 / 14.331             | 19.727 / 16.364             | 19.598 / 16.886             |
|                 | 5.7                             | Climbing ability, with/without load              | (%)                    | 24.0 / 31.0                 | 32.0 / 33.0                 | 27.0 / 30.0                 |
|                 | 5.9                             | Acceleration time, with/without load             | (s)                    | 5.6 / 4.7                   | 5.8 / 5.0                   | 5.8 / 5.0                   |
|                 | 5.10                            | Service brake                                    |                        | hydrostatic                 | hydrostatic                 | hydrostatic                 |
| Drive           | 7.1                             | Engine manufacturer / type                       |                        | Deutz G 2.2 L3              | Deutz G 2.2 L3              | Deutz G 2.2 L3              |
|                 | 7.2                             | Engine performance according to DIN ISO 1585     | (kW)                   | 36.4                        | 40                          | 40                          |
|                 | 7.3                             | Rated speed                                      | (1 / min)              | 2300                        | 2600                        | 2600                        |
|                 | 7.4                             | Number of cylinders / displacement               | (- / cm <sup>3</sup> ) | 3 / 2194                    | 3 / 2194                    | 3 / 2194                    |
|                 | 7.5 c                           | Fuel consumption in accordance with EN 16796     | (l / h)                |                             |                             |                             |
|                 | 7.5 d                           | Fuel consumption in accordance with EN 16796     | (kg / h)               | 2.5                         | 2.7                         | 2.8                         |
| Others          | 8.1                             | Type of drive unit                               |                        | hydrostatic / stepless      | hydrostatic / stepless      | hydrostatic / stepless      |
|                 | 10.1                            | Operating pressure for attachments               | (bar)                  | 230                         | 200                         | 225                         |
|                 | 10.2                            | Oil flow for attachments                         | (l / min)              | 50                          | 50                          | 50                          |
|                 | 10.7                            | Sound pressure level LpAz (at the driver's seat) | (dB(A))                | 79                          | 79                          | 79                          |
|                 | 10.8                            | Towing coupling, design / type, DIN 15 170       |                        | similar to form H           | similar to form H           | similar to form H           |

1) Including a 200 mm operating aisle clearance

# TECHNICAL DATA (According to VDI 2198)

|                 |                                 |  |            |                           |
|-----------------|---------------------------------|--|------------|---------------------------|
| Characteristics | 1.1                             | Manufacturer                                     |            | Linde                     |
|                 | 1.2                             | <b>Model</b>                                     |            | <b>H35 T</b>              |
|                 | 1.2a                            | Series   |            | 1202                      |
|                 | 1.3                             | Power unit                                       |            | LPG                       |
|                 | 1.4                             | Operation  |            | Seat                      |
|                 | 1.5                             | Load capacity/Load                               | Q (t)      | 3.50                      |
|                 | 1.6                             | Load centre distance                             | c (mm)     | 500                       |
|                 | 1.8                             | Axle centre to fork face                         | x (mm)     | 453.50                    |
|                 | 1.9                             | Wheelbase  | y (mm)     | 1965                      |
| Weights         | 2.1                             | Service weight                                   | (kg)       | 4952                      |
|                 | 2.2                             | Axle load with load, front/rear                  | (kg)       | 7456/996                  |
|                 | 2.3                             | Axle load without load, front/rear               | (kg)       | 2258/2694                 |
| Wheels/Tyres    | 3.1                             | Tyres rubber, SE, pneumatic, polyurethane        |            | SE                        |
|                 | 3.2                             | Tyre size, front                                 |            | 250/75 - 12               |
|                 | 3.3                             | Tyre size, rear                                  |            | 225/75 - 10 (23 × 9 - 10) |
|                 | 3.5                             | Wheels, number front/rear (x = driven)           |            | 2x/2                      |
|                 | 3.6                             | Track width, front                               | b10 (mm)   | 1008                      |
|                 | 3.7                             | Track width, rear                                | b11 (mm)   | 961                       |
| Dimensions      | 4.1                             | Mast/fork carriage tilt, forward/backward        | a/b (°)    | 5.0/8.0                   |
|                 | 4.2                             | Height of mast, lowered                          | h1 (mm)    | 2330                      |
|                 | 4.3                             | Free lift  | h2 (mm)    | 150                       |
|                 | 4.4                             | Lift   | h3 (mm)    | 3295                      |
|                 | 4.5                             | Height of mast, extended                         | h4 (mm)    | 4061                      |
|                 | 4.7                             | Height of overhead guard (cabin)                 | h6 (mm)    | 2322                      |
|                 | 4.8                             | Height of seat/stand on platform                 | h7 (mm)    | 1119                      |
|                 | 4.12                            | Towing coupling height                           | h10 (mm)   | 643                       |
|                 | 4.19                            | Overall length                                   | l1 (mm)    | 3796                      |
|                 | 4.20                            | Length to fork face                              | l2 (mm)    | 2796                      |
|                 | 4.21                            | Overall width                                    | b1/b2 (mm) | 1256/1176                 |
|                 | 4.22                            | Fork dimensions DIN ISO 2331                     | s/e/l (mm) | 50 × 120 × 1000           |
|                 | 4.23                            | Fork carriage to ISO 2328, class/type A, B       |            | 3A                        |
|                 | 4.24                            | Width of fork carriage                           | b3 (mm)    | 1150                      |
|                 | 4.31                            | Ground clearance, below mast                     | m1 (mm)    | 121                       |
|                 | 4.32                            | Ground clearance, centre of wheelbase            | m2 (mm)    | 175                       |
|                 | 4.34.1                          | Aisle width for pallets 1000 × 1200 crossways    | Ast (mm)   | 4132 <sup>1)</sup>        |
|                 | 4.34.2                          | Aisle width with pallet 800 × 1200 along forks   | Ast (mm)   | 4332 <sup>1)</sup>        |
|                 | 4.35                            | Turning radius                                   | Wa (mm)    | 2478                      |
| 4.36            | Minimum pivoting point distance | b13 (mm)   | 680        |                           |
| Performance     | 5.1                             | Travel speed, with/without load                  | (km/h)     | 22/22                     |
|                 | 5.2                             | Lifting speed, with/without load                 | (m/s)      | 0.45/0.56                 |
|                 | 5.3                             | Lowering speed, with/without load                | (m/s)      | 0.56/0.56                 |
|                 | 5.5                             | Tractive force, with/without load                | (N)        | 19.433/17.721             |
|                 | 5.7                             | Climbing ability, with/without load              | (%)        | 27.0/30.0                 |
|                 | 5.9                             | Acceleration time, with/without load             | (s)        | 5.9/5.0                   |
|                 | 5.10                            | Service brake                                    |            | hydrostatic               |
| Drive           | 7.1                             | Engine manufacturer/type                         |            | Deutz G 2.2 L3            |
|                 | 7.2                             | Engine performance according to DIN ISO 1585     | (kW)       | 40                        |
|                 | 7.3                             | Rated speed                                      | (1/min)    | 2600                      |
|                 | 7.4                             | Number of cylinders/displacement                 | (-/cm3)    | 3/2194                    |
|                 | 7.5 c                           | Fuel consumption in accordance with EN 16796     | (l/h)      |                           |
|                 | 7.5 d                           | Fuel consumption in accordance with EN 16796     | (kg/h)     | 2.9                       |
| Others          | 8.1                             | Type of drive unit                               |            | hydrostatic/stepless      |
|                 | 10.1                            | Operating pressure for attachments               | (bar)      | 245                       |
|                 | 10.2                            | Oil flow for attachments                         | (l/min)    | 50                        |
|                 | 10.7                            | Sound pressure level LpAZ (at the driver's seat) | (dB(A))    | 79                        |
|                 | 10.8                            | Towing coupling, design/type, DIN 15 170         |            | similar to form H         |

1) Including a 200 mm operating aisle clearance



Safety distance  $a = 200 \text{ mm}$

# MAST TABLES

## STANDARD MAST (in mm)

| Series              | 1532                  |         |                       |         |                       |         |                       |         |                       |         |                       |         |                       |         |
|---------------------|-----------------------|---------|-----------------------|---------|-----------------------|---------|-----------------------|---------|-----------------------|---------|-----------------------|---------|-----------------------|---------|
| Lift                | h3: 3030              |         | h3: 3230              |         | h3: 3430              |         | h3: 3730              |         | h3: 4030              |         | h3: 4530              |         | h3: 5030              |         |
| Height measurements | h1: 2187<br>h4: 3702  | h2: 150 | h1: 2287<br>h4: 3902  | h2: 150 | h1: 2387<br>h4: 4102  | h2: 150 | h1: 2537<br>h4: 4402  | h2: 150 | h1: 2687<br>h4: 4702  | h2: 150 | h1: 2937<br>h4: 5202  | h2: 150 | h1: 3187<br>h4: 5702  | h2: 150 |
| Model               |                       |         |                       |         |                       |         |                       |         |                       |         |                       |         |                       |         |
| H20/600             | <input type="radio"/> |         | <input type="radio"/> |         | <input type="radio"/> |         | <input type="radio"/> |         | <input type="radio"/> |         | <input type="radio"/> |         | <input type="radio"/> |         |
| H25                 | <input type="radio"/> |         | <input type="radio"/> |         | <input type="radio"/> |         | <input type="radio"/> |         | <input type="radio"/> |         | <input type="radio"/> |         | <input type="radio"/> |         |

| Series              | 1533                  |         |                       |         |                       |         |                       |         |                       |         |                       |         |                       |         |
|---------------------|-----------------------|---------|-----------------------|---------|-----------------------|---------|-----------------------|---------|-----------------------|---------|-----------------------|---------|-----------------------|---------|
| Lift                | h3: 3095              |         | h3: 3295              |         | h3: 3395              |         | h3: 3695              |         | h3: 3995              |         | h3: 4495              |         | h3: 4995              |         |
| Height measurements | h1: 2224<br>h4: 3856  | h2: 150 | h1: 2324<br>h4: 4056  | h2: 150 | h1: 2374<br>h4: 4156  | h2: 150 | h1: 2524<br>h4: 4456  | h2: 150 | h1: 2674<br>h4: 4756  | h2: 150 | h1: 2924<br>h4: 5256  | h2: 150 | h1: 3174<br>h4: 5756  | h2: 150 |
| Model               |                       |         |                       |         |                       |         |                       |         |                       |         |                       |         |                       |         |
| H25/600             | <input type="radio"/> |         | <input type="radio"/> |         | <input type="radio"/> |         | <input type="radio"/> |         | <input type="radio"/> |         | <input type="radio"/> |         | <input type="radio"/> |         |
| H30                 | <input type="radio"/> |         | <input type="radio"/> |         | <input type="radio"/> |         | <input type="radio"/> |         | <input type="radio"/> |         | <input type="radio"/> |         | <input type="radio"/> |         |
| H35                 | <input type="radio"/> |         | <input type="radio"/> |         | <input type="radio"/> |         | <input type="radio"/> |         | <input type="radio"/> |         | <input type="radio"/> |         | <input type="radio"/> |         |

## DUPLEX MAST (in mm)

| Series              | 1532                             |         |                                  |         |                                  | 1533    |                                  |         |                                  |         |                                  |                       |                                  |                       |                                  |                       |                                  |                       |                       |
|---------------------|----------------------------------|---------|----------------------------------|---------|----------------------------------|---------|----------------------------------|---------|----------------------------------|---------|----------------------------------|-----------------------|----------------------------------|-----------------------|----------------------------------|-----------------------|----------------------------------|-----------------------|-----------------------|
| Lift                | h3: 3100                         |         | h3: 3300                         |         | h3: 3400                         |         | h3: 3800                         |         | h3: 4100                         |         | h3: 3165                         |                       | h3: 3365                         |                       | h3: 3765                         |                       | h3: 4065                         |                       |                       |
| Height measurements | h1: 2134<br>h2: 1444<br>h4: 3791 | h2: 150 | h1: 2234<br>h2: 1544<br>h4: 3991 | h2: 150 | h1: 2284<br>h2: 1594<br>h4: 4091 | h2: 150 | h1: 2484<br>h2: 1794<br>h4: 4491 | h2: 150 | h1: 2634<br>h2: 1944<br>h4: 4791 | h2: 150 | h1: 2179<br>h2: 1394<br>h4: 3951 | h2: 150               | h1: 2279<br>h2: 1494<br>h4: 4151 | h2: 150               | h1: 2479<br>h2: 1694<br>h4: 4551 | h2: 150               | h1: 2629<br>h2: 1844<br>h4: 4851 | h2: 150               |                       |
| Model               |                                  |         |                                  |         |                                  |         |                                  |         |                                  |         |                                  |                       |                                  |                       |                                  |                       |                                  |                       |                       |
| H20/600             | <input type="radio"/>            |         | <input type="radio"/>            |         | <input type="radio"/>            |         | <input type="radio"/>            |         | <input type="radio"/>            |         | –                                | –                     | –                                | –                     | –                                | –                     | –                                | –                     | –                     |
| H25                 | <input type="radio"/>            |         | <input type="radio"/>            |         | <input type="radio"/>            |         | <input type="radio"/>            |         | <input type="radio"/>            |         | –                                | –                     | –                                | –                     | –                                | –                     | –                                | –                     | –                     |
| H25/600             | –                                |         | –                                |         | –                                |         | –                                |         | –                                |         | <input type="radio"/>            | <input type="radio"/> | <input type="radio"/>            | <input type="radio"/> | <input type="radio"/>            | <input type="radio"/> | <input type="radio"/>            | <input type="radio"/> | <input type="radio"/> |
| H30                 | –                                |         | –                                |         | –                                |         | –                                |         | –                                |         | <input type="radio"/>            | <input type="radio"/> | <input type="radio"/>            | <input type="radio"/> | <input type="radio"/>            | <input type="radio"/> | <input type="radio"/>            | <input type="radio"/> | <input type="radio"/> |
| H35                 | –                                |         | –                                |         | –                                |         | –                                |         | –                                |         | <input type="radio"/>            | <input type="radio"/> | <input type="radio"/>            | <input type="radio"/> | <input type="radio"/>            | <input type="radio"/> | <input type="radio"/>            | <input type="radio"/> | <input type="radio"/> |

## TRIPLEX MAST (in mm)

| Series              | 1532                  |          |                       |          |                       |          |                       |          |                       |          |                       |          |
|---------------------|-----------------------|----------|-----------------------|----------|-----------------------|----------|-----------------------|----------|-----------------------|----------|-----------------------|----------|
| Lift                | h3: 4610              |          | h3: 4910              |          | h3: 5060              |          | h3: 5560              |          | h3: 6010              |          | h3: 6510              |          |
| Height measurements | h1: 2134<br>h4: 5299  | h2: 1444 | h1: 2234<br>h4: 5599  | h2: 1544 | h1: 2284<br>h4: 5749  | h2: 1594 | h1: 2484<br>h4: 6249  | h2: 1794 | h1: 2634<br>h4: 6699  | h2: 1944 | h1: 2834<br>h4: 7199  | h2: 2144 |
| Model               |                       |          |                       |          |                       |          |                       |          |                       |          |                       |          |
| H20/600             | <input type="radio"/> |          | <input type="radio"/> |          | <input type="radio"/> |          | <input type="radio"/> |          | <input type="radio"/> |          | <input type="radio"/> |          |
| H25                 | <input type="radio"/> |          | <input type="radio"/> |          | <input type="radio"/> |          | <input type="radio"/> |          | <input type="radio"/> |          | <input type="radio"/> |          |

| Series              | 1533                  |          |                       |          |                       |          |                       |          |                       |          |                       |          |
|---------------------|-----------------------|----------|-----------------------|----------|-----------------------|----------|-----------------------|----------|-----------------------|----------|-----------------------|----------|
| Lift                | h3: 4680              |          | h3: 4980              |          | h3: 5330              |          | h3: 5930              |          | h3: 6430              |          | h3: 6880              |          |
| Height measurements | h1: 2179<br>h4: 5464  | h2: 1394 | h1: 2279<br>h4: 5764  | h2: 1494 | h1: 2429<br>h4: 6114  | h2: 1644 | h1: 2629<br>h4: 6714  | h2: 1844 | h1: 2829<br>h4: 7214  | h2: 2044 | h1: 2979<br>h4: 7664  | h2: 2194 |
| Model               |                       |          |                       |          |                       |          |                       |          |                       |          |                       |          |
| H25/600             | <input type="radio"/> |          | <input type="radio"/> |          | <input type="radio"/> |          | <input type="radio"/> |          | <input type="radio"/> |          | <input type="radio"/> |          |
| H30                 | <input type="radio"/> |          | <input type="radio"/> |          | <input type="radio"/> |          | <input type="radio"/> |          | <input type="radio"/> |          | <input type="radio"/> |          |
| H35                 | <input type="radio"/> |          | <input type="radio"/> |          | <input type="radio"/> |          | <input type="radio"/> |          | <input type="radio"/> |          | <input type="radio"/> |          |

Optional equipment

– Not available

**h1:** Height of mast, lowered

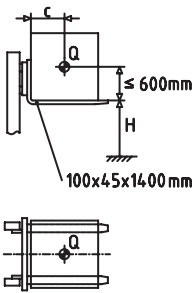
**h2:** Free lift

**h3:** Lift

**h4:** Height of mast, extended

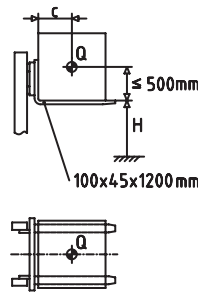
# LOAD CAPACITY

## H20 / 600



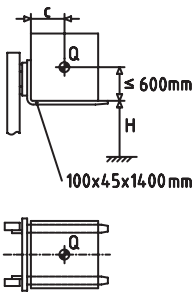
| H (mm)        | Q (kg)    |      |      |      |  |
|---------------|-----------|------|------|------|--|
| 6800          | 1300      | 1180 | 1090 | 1000 |  |
| 6700          | 1380      | 1250 | 1150 | 1060 |  |
| 6600          | 1460      | 1330 | 1220 | 1120 |  |
| 6500          | 1530      | 1400 | 1250 | 1180 |  |
| 6400          | 1610      | 1470 | 1350 | 1240 |  |
| 6300          | 1690      | 1540 | 1410 | 1300 |  |
| 6200          | 1770      | 1610 | 1480 | 1360 |  |
| 6100          | 1840      | 1680 | 1540 | 1420 |  |
| 6000          | 1920      | 1750 | 1610 | 1480 |  |
| ≤ 5900        | 2000      | 1820 | 1670 | 1540 |  |
| <b>c (mm)</b> | 400 - 600 | 700  | 800  | 900  |  |

## H25



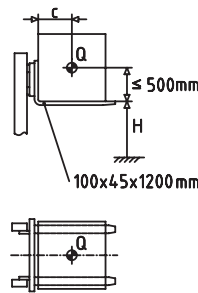
| H (mm)        | Q (kg)    |      |      |      |  |
|---------------|-----------|------|------|------|--|
| 6800          | 1500      | 1350 | 1230 | 1130 |  |
| 6600          | 1650      | 1490 | 1360 | 1250 |  |
| 6400          | 1810      | 1630 | 1480 | 1360 |  |
| 6300          | 1880      | 1700 | 1550 | 1420 |  |
| 6200          | 1960      | 1770 | 1610 | 1480 |  |
| 6100          | 2040      | 1840 | 1670 | 1540 |  |
| 6000          | 2120      | 1910 | 1740 | 1590 |  |
| 5900          | 2190      | 1980 | 1800 | 1650 |  |
| 5800          | 2270      | 2050 | 1860 | 1710 |  |
| 5700          | 2350      | 2120 | 1930 | 1770 |  |
| 5600          | 2420      | 2180 | 1990 | 1830 |  |
| ≤ 5500        | 2500      | 2250 | 2050 | 1880 |  |
| <b>c (mm)</b> | 400 - 500 | 600  | 700  | 800  |  |

## H25 / 600



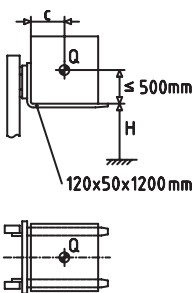
| H (mm)        | Q (kg)    |      |      |      |  |
|---------------|-----------|------|------|------|--|
| 7000          | 1700      | 1550 | 1420 | 1320 |  |
| 6900          | 1800      | 1640 | 1510 | 1400 |  |
| 6800          | 1900      | 1730 | 1590 | 1470 |  |
| 6700          | 2000      | 1820 | 1680 | 1550 |  |
| 6600          | 2100      | 1910 | 1760 | 1630 |  |
| 6500          | 2200      | 2000 | 1840 | 1710 |  |
| 6400          | 2300      | 2100 | 1930 | 1790 |  |
| 6300          | 2400      | 2190 | 2010 | 1860 |  |
| ≤ 6200        | 2500      | 2280 | 2100 | 1860 |  |
| <b>c (mm)</b> | 400 - 600 | 700  | 800  | 900  |  |

## H30



| H (mm)        | Q (kg)    |      |      |      |  |
|---------------|-----------|------|------|------|--|
| 7000          | 2000      | 1810 | 1650 | 1520 |  |
| 6900          | 2100      | 1900 | 1730 | 1600 |  |
| 6800          | 2200      | 1990 | 1820 | 1670 |  |
| 6700          | 2300      | 2080 | 1900 | 1750 |  |
| 6600          | 2400      | 2170 | 1980 | 1820 |  |
| 6500          | 2500      | 2260 | 2060 | 1900 |  |
| 6400          | 2600      | 2350 | 2150 | 1980 |  |
| 6300          | 2700      | 2440 | 2230 | 2050 |  |
| 6200          | 2800      | 2530 | 2310 | 2130 |  |
| 6100          | 2900      | 2620 | 2400 | 2190 |  |
| ≤ 6000        | 3000      | 2710 | 2480 | 2190 |  |
| <b>c (mm)</b> | 400 - 500 | 600  | 700  | 800  |  |

## H35



| H (mm)        | Q (kg)    |      |      |      |  |
|---------------|-----------|------|------|------|--|
| 7000          | 2000      | 1810 | 1650 | 1520 |  |
| 6800          | 2220      | 2010 | 1840 | 1690 |  |
| 6600          | 2440      | 2210 | 2020 | 1860 |  |
| 6500          | 2550      | 2310 | 2110 | 1940 |  |
| 6400          | 2660      | 2410 | 2200 | 2020 |  |
| 6300          | 2770      | 2510 | 2290 | 2110 |  |
| 6200          | 2880      | 2610 | 2380 | 2190 |  |
| 6100          | 2990      | 2700 | 2470 | 2270 |  |
| 6000          | 3100      | 2810 | 2560 | 2360 |  |
| 5900          | 3230      | 2930 | 2670 | 2460 |  |
| 5800          | 3370      | 3050 | 2780 | 2560 |  |
| ≤ 5700        | 3500      | 3170 | 2890 | 2660 |  |
| <b>c (mm)</b> | 400 - 500 | 600  | 700  | 800  |  |

H = Lifting height, c = Load centre, Q = Load capacity



# STANDARD AND OPTIONAL EQUIPMENT

| Model/ Equipment                      |  | H20 - H35 D | H20 - H35 T |
|---------------------------------------|--|-------------|-------------|
| Operator Compartment                  | Ergonomic and save truck access due to a low entry step and handle bar at a-pillar and bonnet                        | ●           | ●           |
|                                       | Innovative decoupling concept for lowest human vibrations  | ●           | ●           |
|                                       | Tilt adjustable steering column  | ●           | ●           |
|                                       | Overhead guard comfort for max. head clearance   | ●           | ●           |
|                                       | Operator's seat - mechanical quick weight adjustment   | ●           | ●           |
|                                       | Various seating options such as heating, air suspension, active seat ventilation, longitudinal suspension            | ○           | ○           |
|                                       | Operators seat - Swiveling seat  | ○           | ○           |
|                                       | Coloured 3.5" LED display with steering angle indicator and tilt angle indicator                                     | ●           | ●           |
|                                       | Coloured 7" LED multifunction display integrates additional functions e.g. cameras and Linde Safety Pilot            | ○           | ○           |
|                                       | Top screen armored glass   | ○           | ○           |
|                                       | Alloy doors with openable window   | ○           | ○           |
|                                       | Din A4 illuminated clipboard   | ○           | ○           |
|                                       | Warm water heater incl. defog function/air conditioning  | ○           | ○           |
|                                       | Radio, DAB+, MP3 Player incl. bluetooth hands-free equipment   | ○           | ○           |
| Driving and Lifting                   | Linde Hydrostatic Drive - for high productivity and low fuel consumption   | ●           | ●           |
|                                       | Deutz Diesel Engine EU 2016/1628 Stage 5*  | ●           | —           |
|                                       | Particel filter, oxidation catalysts, exhaust gas recirculation  | ●           | —           |
|                                       | Deutz LPG Engine EU 2016/1628 Stage 5*   | —           | ●           |
|                                       | 3-Way Catalyst   | —           | ●           |
|                                       | LPG tank including fill level indicator in the display   | —           | ○           |
|                                       | Engine air filter including safety elements  | ●           | ●           |
|                                       | Linde Engine Protection System (LEPS) - warning, speed reduction under critical engine conditions                    | ●           | ●           |
|                                       | Hydraulic parking brake  | ●           | ●           |
|                                       | Oversized, variable displacement pump for lifting function - for low fuel consumption, low noise level and emissions | ●           | ●           |
|                                       | Hydraulic filter concept - realizing 6000 hour hydraulic-oil change interval   | ●           | ●           |
|                                       | Power setting efficiency, economy, performance   | ●           | ●           |
|                                       | Super Elastic (SE) Tyres   | ●           | ●           |
|                                       | Closed Shoulder Tyres CS 20  | ○           | ○           |
|                                       | Pneumatic Tyres  | ○           | ○           |
| Antistatic, non marking Tyres         | ○  | ○           |             |
| Anti-spray mudflaps front and rear    | ○  | ○           |             |
| Mast                                  | Top mounted tilting cylinders - including maintenance free bearings  | ●           | ●           |
|                                       | Best visibility through asymmetric, nested mast profiles on standard, duplex, triplex masts                          | ●           | ●           |
|                                       | Electronic damped tilt stop  | ●           | ●           |
|                                       | Hydraulic accumulator for high driving comfort and less wear   | ○           | ○           |
| Attachments/ Forks                    | Reinforced Linde forks - easy ajustable and long life time   | ○           | ○           |
|                                       | Integrated sideshift with full lift capacity and roller guided   | ○           | ○           |
|                                       | Integrated fork positioner "View" for high residual capacities and optimized visibility                              | ○           | ○           |
|                                       | Street sweeper preparation   | ○           | ○           |
| Safety                                | Linde Curve Assist - automatic drive speed reduction when cornering  | ●           | ●           |
|                                       | Electrical seat belt monitoring - visual and acoustic feedback   | ●           | ●           |
|                                       | Linde Load Assist - increased safety at high lift heights  | ●           | ●           |
|                                       | BlueSpot and TruckSpot - optical warning signal for pedestrians and drivers  | ○           | ○           |
|                                       | Load weight indicator  | ○           | ○           |
|                                       | Linde Safety Pilot - load-dependent travel and lifting speed intervention plus additional functions                  | ○           | ○           |
|                                       | Linde Safety Guard - truck to truck warning and truck to pedestrian warning  | ○           | ○           |
|                                       | Speed limitations (via switch, indoor-outdoor, load depending)   | ○           | ○           |
| Restraint systems (different options) | ○  | ○           |             |
| Digitalisation                        | Data Transmission Online   | ●           | ●           |
|                                       | Data Transmission Wifi   | ○           | ○           |
|                                       | Linde connect:desk - local fleet management with different functional modules  | ○           | ○           |
|                                       | Linde connect:cloud - fleet management as a service (hosted version)   | ○           | ○           |
|                                       | Pre-Operation-Check - individualizable daily check protocol for operational readiness                                | ○           | ○           |
|                                       | Truck Call App - coordination of transport orders  | ○           | ○           |
| Operation/ Load Handling              | Double pedal control - Stepless acceleration and fast reversing  | ●           | ●           |
|                                       | Single pedal control - Stepless acceleration   | ○           | ○           |
|                                       | Linde Load Control - central levers fully integrated in the armrest for precise control of all hydraulic functions   | ●           | ●           |
|                                       | Individual Lever System  | ○           | ○           |

● Standard equipment    ○ Optional equipment    — Not available

\* EU Version

# CHARACTERISTICS



Driver workplace

## Ergonomics

- Ergonomic and intuitive operating concept maximizes operator comfort
- Components decoupled from the chassis (axles, mast and tilt cylinder) protect against impacts and vibrations
- Large selection of ergonomic seats protects against postural injuries
- 3.5-inch display provides permanent overview of all important information



Linde Load Control

## Handling

- Linde Load Control and Dual pedal control guarantee precise control of all driving and mast movements
- Freely programmable buttons in the armrest ensure quick access to frequently used functions
- Overhead tilt cylinders guarantee torsional stability and high residual load capacities at large lifting heights
- Minimized fuel consumption reduces operating costs



All-round visibility

## Safety

- Optimized design provides outstanding visibility in all directions
- Roof with narrow cross struts or armored glass makes working easier at large lifting heights
- The truck's low center of gravity and a high-mounted steering axle improves stability while cornering
- Linde Curve Assist and Linde Load Assist reduce the risk of tipping and loading accidents



Easy service access

## Service

- Robust construction with low-wear and maintenance-free components ensure high truck availability
- Truck Health Monitoring protects the engine in extreme outdoor temperatures
- Linde Engine Protection System (LEPS) provides additional protection against engine damage
- Extra-large service openings make maintenance easy

Subject to modification in the interest of progress. Illustrations and technical details could include options and not binding for actual constructions. All dimensions subject to usual tolerances.



**Linde Material Handling GmbH**  
Carl-von-Linde-Platz | 63743 Aschaffenburg | Germany  
Phone + 49 6021 99 0 | Fax + 49 6021 99 1570  
www.linde-mh.com | info@linde-mh.com

Printed in Germany | 163.e.5.1019.lndB.se

Presented by:



**Officina del Carrello  
di Vidoni Giuseppe S.r.l.**  
T: +39 0432 600471  
E: commerciale@officinadelcarrello.it

via Slovenia, 2  
Z.A.U. 33100 Udine  
www.officinadelcarrello.it