



Linde Material Handling

Linde



Electric Counterbalance Truck

E20 – E35

Capacity 2.0–3.5 t | Series 1252

High-Performance Indoor Specialist

- The twin-motor front-wheel drive together with combi steering axle facilitates maneuverability
- Optimally suited for indoor use thanks to excellent maneuverability and compact design
- Available with lead-acid battery, lithium-ion battery, or fuel cell
- Optimally prepared for embedding within digital logistic processes thanks to data transmission unit fitted as standard

TECHNICAL DATA (According to VDI 2198)

Characteristics	1.1	Manufacturer		LINDE	LINDE	LINDE	LINDE	LINDE
	1.2	Manufacturer's type designation		E20	E20/600H	E25	E25L	E25/600H
	1.2 a	Series		1252-01	1252-01	1252-01	1252-01	1252-01
	1.3	Power unit		Battery	Battery	Battery	Battery	Battery
	1.4	Operation		Seat	Seat	Seat	Seat	Seat
	1.5	Load capacity/Load	Q (t)	2.0	2.0	2.5	2.5	2.5
	1.6	Load centre distance	c (mm)	500	600	500	500	600
	1.8	Axle centre to fork face	x (mm)	420.4	420.4	420.4	420.4	455.5
	1.9	Wheelbase	y (mm)	1652	1686	1652	1797	1686
Weights	2.1	Service weight	kg	4310 ¹⁾	4897 ¹⁾	4499 ¹⁾	4537 ¹⁾	5200 ¹⁾
	2.2	Axle load with load, front/rear	kg	5355/955	5647/1250	6131/868	6159/878	6630/1070
	2.3	Axle load without load, front/rear	kg	2241/2069 ¹⁾	2437/2460 ¹⁾	2238/2261 ¹⁾	2379/2158 ¹⁾	2565/2635 ¹⁾
Wheels/Tyres	3.1	Tyres rubber, SE, pneumatic, polyurethane		SE	SE	SE	SE	SE
	3.2	Tyre size, front		225/75-10 (23x9-10)	225/75-10 (23x9-10)	225/75-10 (23x9-10)	225/75-10 (23x9-10)	225/75-10 (23x9-10)
	3.3	Tyre size, rear		180/60-10	180/60-10	200/50-10	200/50-10	200/50-10
	3.5	Wheels, number front/rear (x = driven)		2x/2	2x/2	2x/2	2x/2	2x/2
	3.6	Track width, front	b10 (mm)	972	972	972	972	972
	3.7	Track width, rear	b11 (mm)	900	900	900	900	900
	Dimensions	4.1	Mast/fork carriage tilt, forward/backward	a/b (°)	5.0/8.0	5.0/8.0	5.0/8.0	5.0/8.0
4.2		Height of mast, lowered	h1 (mm)	2181	2331	2181	2181	2322
4.3		Free lift	h2 (mm)	150	150	150	150	150
4.4		Lift	h3 (mm)	3030	3330	3030	3030	3295
4.5		Height of mast, extended	h4 (mm)	3694	3994	3694	3694	4054
4.7		Height of overhead guard (cabin)	h6 (mm)	2165 ³⁾	2325 ³⁾	2165 ³⁾	2165 ³⁾	2325 ³⁾
4.8		Seat height relating to SIP/stand height	h7 (mm)	1102	1260	1102	1102	1260
4.12		Towing coupling height	h10 (mm)	608	670	609	608	668
4.19		Overall length	l1 (mm)	3320	3354	3320	3461	3390
4.20		Length to fork face	l2 (mm)	2320	2354	2320	2461	2390
4.21		Overall width	b1/b2 (mm)	1179/-	1179/-	1179/-	1179/-	1179/-
4.22		Fork dimensions DIN ISO 2331	s/e/l (mm)	45 × 100 × 1000	45 × 100 × 1000	45 × 100 × 1000	45 × 100 × 1000	45 × 100 × 1000
4.23		Fork carriage to ISO 2328, class/type A, B		2A	2A	2A	2A	2A
4.24		Width of fork carriage	b3 (mm)	1150	1150	1150	1150	1150
4.31		Ground clearance, below mast	m1 (mm)	122	122	120	120	119
4.32		Ground clearance, centre of wheelbase	m2 (mm)	120	120	120	120	120
4.34.1		Aisle width for pallets 1000 × 1200 crossways	Ast (mm)	3642 ²⁾	3676 ²⁾	3642 ²⁾	3783 ²⁾	3708 ²⁾
4.34.2		Aisle width with pallet 800 × 1200 along forks	Ast (mm)	3769 ²⁾	3803 ²⁾	3769 ²⁾	3910 ²⁾	3837 ²⁾
4.35		Turning radius	Wa (mm)	1900	1934	1900	2041	1934
4.36	Minimum pivoting point distance	b13 (mm)	0	0	0	0	0	
Performance	5.1	Travel speed, with/without load	km/h	20/20	20/20	20/20	20/20	20/20
	5.2	Lifting speed, with/without load	m/s	0.56/0.64	0.56/0.64	0.52/0.64	0.52/0.64	0.43/0.54
	5.3	Lowering speed, with/without load	m/s	0.57/0.57	0.57/0.57	0.57/0.57	0.57/0.57	0.58/0.57
	5.5	Tractive force, with/without load	N	6700/6700	6700/6700	6700/6700	6700/6700	6700/6700
	5.6	Maximum tractive force, with/without load	N	18000/18000	18000/18000	18000/18000	18000/18000	18000/18000
	5.7	Climbing ability, with/without load	%	20.3/31.5	18.4/27.3	18.1/30.1	18.0/29.8	17.6/25.6
	5.8	Maximum climbing ability, with/without load	%	26.6/41.8	24.2/36.0	23.7/39.9	23.6/39.4	21.3/33.7
	5.9	Acceleration time, with/without load	s	5.0/4.4	5.1/4.5	5.1/4.4	5.1/4.4	5.3/4.6
	5.10	Service brake		hydr./mech.	hydr./mech.	hydr./mech.	hydr./mech.	hydr./mech.
	Drive	6.1	Drive motor rating S2 60 min	kW	2x 11	2x 11	2x 11	2x 11
6.2		Lift motor rating at S3 15 %	kW	17	17	17	17	17
6.3		Battery according to DIN 43531/35/36 A, B, C, no		43 536 A	43 536 A	43 536 A	43 536 A	43 536 A
6.4		Battery voltage/rated capacity (5 h)	(V)/(Ah)	80/460/500	80/560/620	80/460/500	80/575/625	80/560/620
6.4.a		Battery energy content	kWh	32	39.68	32	40	39.68
6.5		Battery weight (± 5 %)	kg	1210	1558	1210	1458	1558
6.6		Energy consumption according to DIN EN 16796	kWh/h	5.8	6	6.3	6.3	6.6
6.6.1		CO2 equivalent according to EN 16796	kg/h	3.1	3.2	3.4	3.4	3.6
6.7	Turnover output according to VDI 2198	t/h	153.0	152.0	190.0	190.0	188.0	
6.8	Turnover efficiency according to VDI 2198	t/kWh	18.4	17.6	21.4	21.4	20.3	
Others	8.1	Type of drive unit		Digital/stepless	Digital/stepless	Digital/stepless	Digital/stepless	Digital/stepless
	10.1	Operating pressure for attachments	bar	200	200	230	200	230
	10.2	Oil flow for attachments	l/min	50	50	50	50	50
	10.7	Sound pressure level LpAZ (at the driver's seat)	dB (A)	< 65	< 65	< 65	< 65	< 65
	10.8	Towing coupling, design/type, DIN 15 170		similar to form H	similar to form H	similar to form H	similar to form H	similar to form H
11.2	Static stability		1.86	2.03	1.62	1.69	1.68	

1) Figures with battery, see line 6.4/6.5.

2) Including a 200 mm (min.) operating aisle clearance.

3) All Truck types are available as container version; h6 = -100 mm

TECHNICAL DATA (According to VDI 2198)

			LINDE		LINDE		LINDE	
Characteristics	1.1	Manufacturer		LINDE	LINDE	LINDE	LINDE	LINDE
	1.2	Manufacturer's type designation		E25/600HL	E30	E30L	E30/600H	E30/600HL
	1.2 a	Series		1252-01	1252-01	1252-01	1252-01	1252-01
	1.3	Power unit		Battery	Battery	Battery	Battery	Battery
	1.4	Operation		Seat	Seat	Seat	Seat	Seat
	1.5	Load capacity/Load	Q (t)	2.5	3.0	3.0	3.0	3.0
	1.6	Load centre distance	c (mm)	600	500	500	600	600
	1.8	Axle centre to fork face	x (mm)	455.5	448.5	448.5	453.5	453.5
	1.9	Wheelbase	y (mm)	1831	1722	1817	1686	1831
Weights	2.1	Service weight	kg	5387 ¹⁾	5063 ¹⁾	4994 ¹⁾	5684 ¹⁾	5651 ¹⁾
	2.2	Axle load with load, front/rear	kg	6673/1214	7123/940	7111/883	7543/1141	7557/1094
	2.3	Axle load without load, front/rear	kg	2732/2655 ¹⁾	2471/2592 ¹⁾	2545/2449 ¹⁾	2668/3016 ¹⁾	2831/2820 ¹⁾
Wheels/Tyres	3.1	Tyres rubber, SE, pneumatic, polyurethane		SE	SE	SE	SE	SE
	3.2	Tyre size, front		225/75-10 (23x9-10)	225/75-10 (23x9-10)	225/75-10 (23x9-10)	250/60-12 (23x10-12)	250/60-12 (23x10-12)
	3.3	Tyre size, rear		200/50-10	200/50-10	200/50-10	200/50-10	200/50-10
	3.5	Wheels, number front/rear (x = driven)		2x/2	2x/2	2x/2	2x/2	2x/2
	3.6	Track width, front	b10 (mm)	972	972	972	996	996
	3.7	Track width, rear	b11 (mm)	900	884	884	884	884
	Dimensions	4.1	Mast/fork carriage tilt, forward/backward	a/b (°)	5.0/8.0	5.0/8.0	5.0/8.0	5.0/8.0
4.2		Height of mast, lowered	h1 (mm)	2322	2172	2172	2327	2326
4.3		Free lift	h2 (mm)	150	150	150	150	150
4.4		Lift	h3 (mm)	3295	2995	2995	3295	3295
4.5		Height of mast, extended	h4 (mm)	4054	3754	3754	4059	4058
4.7		Height of overhead guard (cabin)	h6 (mm)	2325 ³⁾	2165 ³⁾	2165 ³⁾	2325 ³⁾	2325 ³⁾
4.8		Seat height relating to SIP/stand height	h7 (mm)	1260	1102	1102	1260	1260
4.12		Towing coupling height	h10 (mm)	668	606	606	665	665
4.19		Overall length	l1 (mm)	3535	3441	3536	3388	3533
4.20		Length to fork face	l2 (mm)	2535	2441	2536	2388	2533
4.21		Overall width	b1/b2 (mm)	1180/-	1179/-	1179/-	1244/-	1244/-
4.22		Fork dimensions DIN ISO 2331	s/e/l (mm)	45 × 100 × 1000	45 × 100 × 1000	45 × 100 × 1000	50 × 120 × 1000	50 × 120 × 1000
4.23		Fork carriage to ISO 2328, class/type A, B		2A	3A	3A	3A	3A
4.24		Width of fork carriage	b3 (mm)	1150	1150	1150	1150	1150
4.31		Ground clearance, below mast	m1 (mm)	119	120	117	118	118
4.32		Ground clearance, centre of wheelbase	m2 (mm)	120	120	120	120	120
4.34.1		Aisle width for pallets 1000 × 1200 crossways	Ast (mm)	3853 ²⁾	3760 ²⁾	3855 ²⁾	3706 ²⁾	3851 ²⁾
4.34.2		Aisle width with pallet 800 × 1200 along forks	Ast (mm)	3982 ²⁾	3888 ²⁾	3983 ²⁾	3835 ²⁾	3980 ²⁾
4.35		Turning radius	Wa (mm)	2079	1992	2087	1934	2079
4.36	Minimum pivoting point distance	b13 (mm)	0	0	0	0	0	
Performance	5.1	Travel speed, with/without load	km/h	20/20	20/20	20/20	20/20	20/20
	5.2	Lifting speed, with/without load	m/s	0.43/0.54	0.4/0.54	0.4/0.54	0.4/0.54	0.4/0.54
	5.3	Lowering speed, with/without load	m/s	0.58/0.57	0.58/0.57	0.58/0.57	0.58/0.57	0.58/0.57
	5.5	Tractive force, with/without load	N	6700/6700	6700/6700	6700/6700	6700/6700	6700/6700
	5.6	Maximum tractive force, with/without load	N	18000/18000	18000/18000	18000/18000	18000/18000	18000/18000
	5.7	Climbing ability, with/without load	%	17.6/24.6	17.6/26.3	17.6/26.7	17.6/23.4	17.6/23.6
	5.8	Maximum climbing ability, with/without load	%	20.8/32.3	20.2/34.6	20.4/35.2	18.8/30.7	18.9/31.0
	5.9	Acceleration time, with/without load	s	5.4/4.6	5.4/4.6	5.4/4.5	5.5/4.7	5.5/4.7
	5.10	Service brake		hydr./mech.	hydr./mech.	hydr./mech.	hydr./mech.	hydr./mech.
	Drive	6.1	Drive motor rating S2 60 min	kW	2x 11	2x 11	2x 11	2x 11
6.2		Lift motor rating at S3 15 %	kW	17	17	17	17	17
6.3		Battery according to DIN 43531/35/36 A, B, C, no		43 536 A	43 536 A	43 536 A	43 536 A	43 536 A
6.4		Battery voltage/rated capacity (5 h)	(V)/(Ah)	80/700/775	80/460/500	80/575/625	80/560/620	80/700/775
6.4.a		Battery energy content	kWh	49.6	32	40	39.68	49.6
6.5		Battery weight (± 5 %)	kg	1863	1210	1458	1558	1863
6.6		Energy consumption according to DIN EN 16796	kWh/h	6.6	7	7	7	6.9
6.6.1		CO2 equivalent according to EN 16796	kg/h	3.6	3.8	3.8	3.8	3.6
6.7	Turnover output according to VDI 2198	t/h	187.0	225.0	225.0	223.0	223.0	
6.8	Turnover efficiency according to VDI 2198	t/kWh	20	23.2	23.3	23.1	23.6	
Others	8.1	Type of drive unit		Digital/stepless	Digital/stepless	Digital/stepless	Digital/stepless	Digital/stepless
	10.1	Operating pressure for attachments	bar	200	225	225	225	225
	10.2	Oil flow for attachments	l/min	50	50	50	50	50
	10.7	Sound pressure level LpAZ (at the driver's seat)	dB (A)	< 65	< 65	< 65	< 65	< 65
	10.8	Towing coupling, design/type, DIN 15 170		similar to form H	similar to form H	similar to form H	similar to form H	similar to form H
11.2	Static stability		1.84	1.57	1.56	1.61	1.63	

1) Figures with battery, see line 6.4/6.5.

2) Including a 200 mm (min.) operating aisle clearance.

3) All Truck types are available as container version; h6 = -100 mm

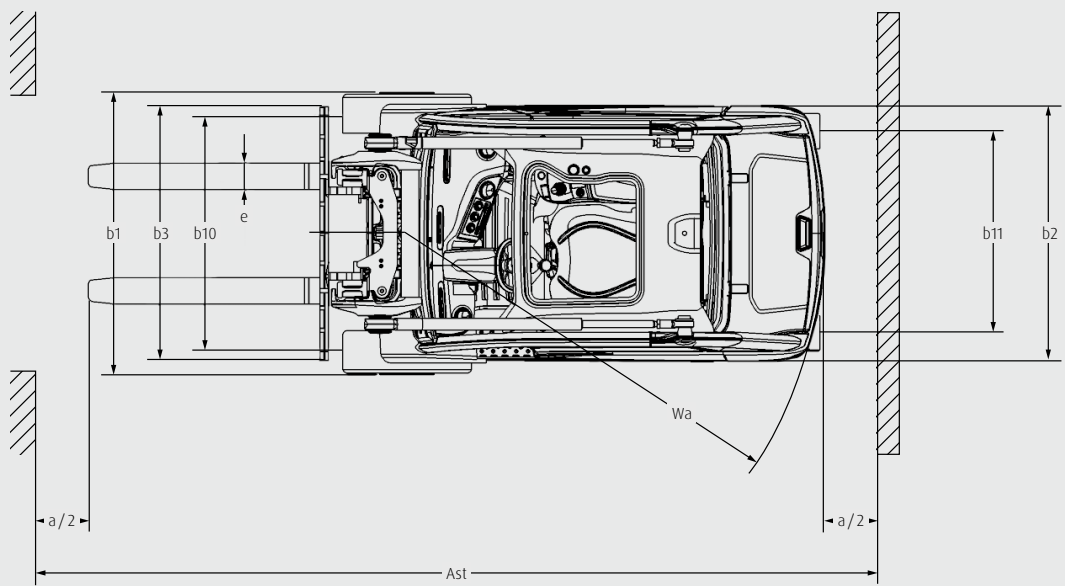
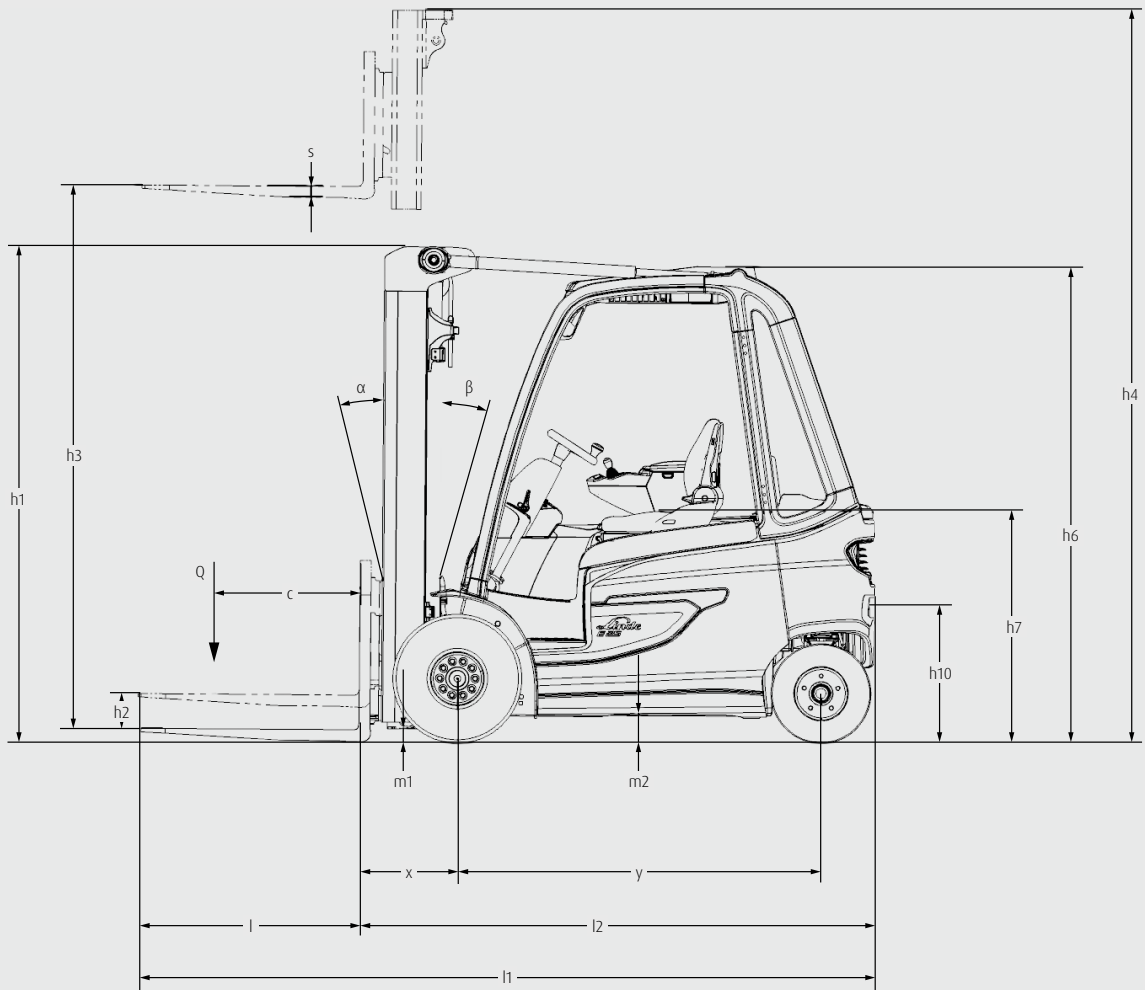
TECHNICAL DATA (According to VDI 2198)

Characteristics	1.1	Manufacturer		LINDE	LINDE	LINDE
	1.2	Manufacturer's type designation		E35L	E35HL	E30/600HL Beverage
	1.2 a	Series		1252-01	1252-01	1252-01
	1.3	Power unit		Battery	Battery	Battery
	1.4	Operation		Seat	Seat	Seat
	1.5	Load capacity/Load	Q (t)	3.5	3.5	3.0
	1.6	Load centre distance	c (mm)	500	500	600
	1.8	Axle centre to fork face	x (mm)	453.5	453.5	453.5
	1.9	Wheelbase	y (mm)	1867	1831	1831
Weights	2.1	Service weight	kg	5516 ¹⁾	5798 ¹⁾	5834 ¹⁾
	2.2	Axle load with load, front/rear	kg	7985/1031	8174/1124	7752/1082
	2.3	Axle load without load, front/rear	kg	2698/2818 ¹⁾	2851/2947 ¹⁾	3026/2808 ¹⁾
Wheels/Tyres	3.1	Tyres rubber, SE, pneumatic, polyurethane		SE	SE	SE
	3.2	Tyre size, front		315/45-12	315/45-12	315/45-12
	3.3	Tyre size, rear		200/50-10	200/50-10	200/50-10
	3.5	Wheels, number front/rear (x = driven)		2x/2	2x/2	2x/2
	3.6	Track width, front	b10 (mm)	1048	1048	1048
	3.7	Track width, rear	b11 (mm)	884	884	884
	Dimensions	4.1	Mast/fork carriage tilt, forward/backward	a/b (°)	5.0/8.0	5.0/8.0
4.2		Height of mast, lowered	h1 (mm)	2172	2322	2726
4.3		Free lift	h2 (mm)	150	150	150
4.4		Lift	h3 (mm)	2995	3295	4095
4.5		Height of mast, extended	h4 (mm)	3754	4054	4858
4.7		Height of overhead guard (cabin)	h6 (mm)	2165 ³⁾	2325 ³⁾	2675 ³⁾
4.8		Seat height relating to SIP/stand height	h7 (mm)	1102	1260	1610
4.12		Towing coupling height	h10 (mm)	604	666	665
4.19		Overall length	l1 (mm)	3591	3533	3533
4.20		Length to fork face	l2 (mm)	2591	2533	2533
4.21		Overall width	b1/b2 (mm)	1346/-	1346/-	1244/-
4.22		Fork dimensions DIN ISO 2331	s/e/l (mm)	50 × 120 × 1000	50 × 120 × 1000	50 × 120 × 1000
4.23		Fork carriage to ISO 2328, class/type A, B		3A	3A	3A
4.24		Width of fork carriage	b3 (mm)	1150	1150	1150
4.31		Ground clearance, below mast	m1 (mm)	120	120	118
4.32		Ground clearance, centre of wheelbase	m2 (mm)	120	120	120
4.34.1		Aisle width for pallets 1000 × 1200 crossways	Ast (mm)	3909 ²⁾	3851 ²⁾	3851 ²⁾
4.34.2		Aisle width with pallet 800 × 1200 along forks	Ast (mm)	4038 ²⁾	3980 ²⁾	3980 ²⁾
4.35		Turning radius	Wa (mm)	2137	2079	2079
4.36	Minimum pivoting point distance	b13 (mm)	0	0	0	
Performance	5.1	Travel speed, with/without load	km/h	20/20	20/20	20/20
	5.2	Lifting speed, with/without load	m/s	0.39/0.54	0.39/0.54	0.4/0.54
	5.3	Lowering speed, with/without load	m/s	0.58/0.57	0.58/0.57	0.58/0.57
	5.5	Tractive force, with/without load	N	6700/6700	6700/6700	6700/6700
	5.6	Maximum tractive force, with/without load	N	18000/18000	18000/18000	18000/18000
	5.7	Climbing ability, with/without load	%	17.6/23.6	17.6/22.4	17.6/22.6
	5.8	Maximum climbing ability, with/without load	%	17.6/31.0	17.6/29.4	18.3/29.7
	5.9	Acceleration time, with/without load	s	5.6/4.7	5.6/4.7	5.5/4.8
	5.10	Service brake		hydr./mech.	hydr./mech.	hydr./mech.
	Drive	6.1	Drive motor rating S2 60 min	kW	2x 11	2x 11
6.2		Lift motor rating at S3 15 %	kW	17	17	17
6.3		Battery according to DIN 43531/35/36 A, B, C, no		43 536 A	43 536 A	43 536 A
6.4		Battery voltage/rated capacity (5 h)	(V)/(Ah)	80/575/625	80/700/775	80/700/775
6.4.a		Battery energy content	kWh	40	49.6	49.6
6.5		Battery weight (± 5 %)	kg	1458	1863	1863
6.6		Energy consumption according to DIN EN 16796	kWh/h	7.3	7.4	7
6.6.1		CO2 equivalent according to EN 16796	kg/h	3.9	4	3.8
6.7		Turnover output according to VDI 2198	t/h	261.0	260.0	223.0
6.8	Turnover efficiency according to VDI 2198	t/kWh	26.8	26.3	23.1	
Others	8.1	Type of drive unit		Digital/stepless	Digital/stepless	Digital/stepless
	10.1	Operating pressure for attachments	bar	245	245	225
	10.2	Oil flow for attachments	l/min	50	50	50
	10.7	Sound pressure level LpAZ (at the driver's seat)	dB (A)	< 65	< 65	< 65
	10.8	Towing coupling, design/type, DIN 15 170		similar to form H	similar to form H	similar to form H
	11.2	Static stability		1.58	1.62	1.63

1) Figures with battery, see line 6.4/6.5.

2) Including a 200 mm (min.) operating aisle clearance.

3) All Truck types are available as container version; h6 = -100 mm



MAST TABLES

STANDARD MAST (in mm)

Series	1532													
Lift	h3: 3030		h3: 3130		h3: 3230		h3: 3430		h3: 3730		h3: 4030		h3: 4530	
Height measurements	h1: 2190 h4: 3695	h2: 150	h1: 2240 h4: 3795	h2: 150	h1: 2290 h4: 3895	h2: 150	h1: 2390 h4: 4095	h2: 150	h1: 2540 h4: 4395	h2: 150	h1: 2690 h4: 4695	h2: 150	h1: 2940 h4: 5195	h2: 150
Model														
E20	○		○		○		○		○		○		○	
E25 / E25 L	○		○		○		○		○		○		○	
E20 / 600 H	—		—		—		○		○		○		○	

Series	1533													
Lift	h3: 3095		h3: 3295		h3: 3395		h3: 3695		h3: 3995		h3: 4195		h3: 4495	
Height measurements	h1: 2225 h4: 3856	h2: 150	h1: 2325 h4: 4056	h2: 150	h1: 2375 h4: 4156	h2: 150	h1: 2525 h4: 4456	h2: 150	h1: 2675 h4: 4756	h2: 150	h1: 2775 h4: 4956	h2: 150	h1: 2925 h4: 5256	h2: 150
Model														
E30 / E30 L	○		○		○		○		○		○		○	
E25 / 600 H	—		○		○		○		○		○		○	
E30 / 600 H	—		○		○		○		○		○		○	
E35 L	○		○		○		○		○		○		○	
E25 / 600 HL	—		○		○		○		○		○		○	
E30 / 600 HL	—		○		○		○		○		○		○	
E35 HL	—		○		○		○		○		○		○	

DUPLEX MAST (in mm)

Series	1532			1533													
Lift	h3: 3100		h3: 3300		h3: 3400		h3: 3165		h3: 3265		h3: 3365		h3: 3465		h3: 3765		
Height measurements	h1: 2140 h2: 1445 h4: 3787		h1: 2240 h2: 1545 h4: 3987		h1: 2290 h2: 1595 h4: 4087		h1: 2180 h2: 1395 h4: 3951		h1: 2230 h2: 1445 h4: 4051		h1: 2280 h2: 1495 h4: 4151		h1: 2330 h2: 1545 h4: 4251		h1: 2480 h2: 1695 h4: 4551		
Model																	
E20	○		○		○		—		—		—		—		—		
E25	○		○		○		—		—		—		—		—		
E20 / 600 H	—		—		○		—		—		—		—		—		
E25 L	○		○		○		—		—		—		—		—		
E30 / E30 L	—		—		—		○		○		○		○		○		
E25 / 600 H	—		—		—		—		—		○		○		○		
E30 / 600 H	—		—		—		—		—		○		○		○		
E35 L	—		—		—		○		○		○		○		○		
E25 / 600 HL	—		—		—		—		—		○		○		○		
E30 / 600 HL	—		—		—		—		—		○		○		○		
E35 HL	—		—		—		—		—		○		○		○		

TRIPLEX MAST (in mm)

Series	1532											
Lift	h3: 4610		h3: 4760		h3: 4910		h3: 5060		h3: 5560		h3: 6510	
Height measurements	h1: 2135 h4: 5295	h2: 1445	h1: 2185 h4: 5445	h2: 1495	h1: 2235 h4: 5595	h2: 1545	h1: 2285 h4: 5745	h2: 1595	h1: 2485 h4: 6245	h2: 1795	h1: 2835 h4: 7195	h2: 2145
Model												
E20	○		○		○		○		○		○	
E25	○		○		○		○		○		○	
E20 / 600 H	—		—		—		○		○		○	
E25 L	○		○		○		○		○		○	

Series	1533															
Lift	h3: 4680		h3: 4830		h3: 4980		h3: 5130		h3: 5330		h3: 5480		h3: 5930		h3: 6580	
Height measurements	h1: 2180 h4: 5473	h2: 1395	h1: 2230 h4: 5623	h2: 1445	h1: 2280 h4: 5773	h2: 1495	h1: 2330 h4: 5923	h2: 1545	h1: 2430 h4: 6123	h2: 1645	h1: 2480 h4: 6273	h2: 1695	h1: 2630 h4: 6723	h2: 1845	h1: 2880 h4: 7373	h2: 2095
Model																
E30 / E30 L	○		○		○		○		○		○		○		○	
E25 / 600 H	—		—		○		○		○		○		○		○	
E30 / 600 H	—		—		○		○		○		○		○		○	
E35 L	○		○		○		○		○		○		○		○	
E25 / 600 HL	—		—		○		○		○		○		○		○	
E30 / 600 HL	—		—		○		○		○		○		○		○	
E35 HL	—		—		○		○		○		○		○		○	

○ Optional equipment

— Not available

h1: Height of mast, lowered

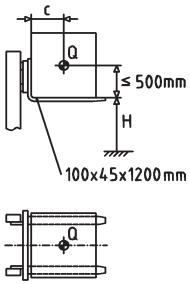
h2: Free lift

h3: Lift

h4: Height of mast, extended

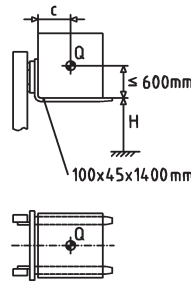
LOAD CAPACITY

E20



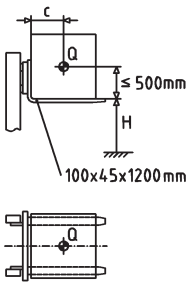
H (mm)	Q (kg)				
7000	1400	1260	1150	1050	
6900	1460	1310	1190	1100	
6800	1520	1370	1240	1140	
6700	1580	1420	1290	1190	
6600	1640	1470	1340	1230	
6500	1700	1520	1390	1280	
6400	1760	1580	1440	1320	
6300	1820	1640	1490	1370	
6200	1880	1690	1540	1410	
6100	1940	1740	1590	1460	
≤ 6000	2000	1800	1640	1500	
c (mm)	400 - 500	600	700	800	

E20 / 600 H



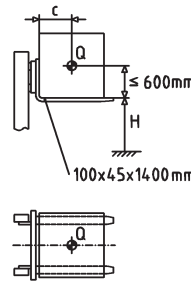
H (mm)	Q (kg)				
7000	1400	1270	1170	1080	
6900	1460	1320	1220	1120	
6800	1520	1380	1270	1170	
6700	1580	1430	1320	1220	
6600	1640	1490	1370	1260	
6500	1700	1540	1420	1310	
6400	1760	1600	1470	1360	
6300	1820	1650	1520	1400	
6200	1880	1710	1570	1450	
6100	1940	1760	1620	1490	
≤ 6000	2000	1820	1670	1540	
c (mm)	400 - 600	700	800	900	

E25 / E25 L



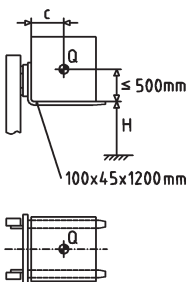
H (mm)	Q (kg)				
7000	1400	1260	1150	1050	
6800	1540	1390	1270	1160	
6600	1690	1520	1390	1270	
6400	1840	1650	1510	1380	
6200	1980	1790	1630	1490	
6100	2060	1850	1690	1550	
6000	2130	1920	1750	1600	
5900	2200	1990	1810	1660	
5800	2280	2050	1870	1710	
5700	2350	2120	1930	1770	
5600	2420	2180	1990	1820	
≤ 5500	2500	2250	2050	1880	
c (mm)	400 - 500	600	700	800	

E25 / 600 H, E25 / 600 HL



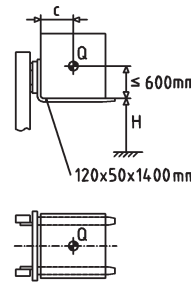
H (mm)	Q (kg)				
7000	1700	1550	1420	1320	
6900	1780	1620	1490	1380	
6800	1860	1690	1560	1440	
6700	1940	1770	1630	1510	
6600	2020	1840	1690	1570	
6500	2100	1910	1760	1630	
6400	2180	1990	1830	1690	
6300	2260	2060	1900	1760	
6200	2340	2130	1960	1820	
6100	2420	2210	2030	1880	
≤ 6000	2500	2280	2100	1940	
c (mm)	400 - 600	700	800	900	

E30 / E30 L



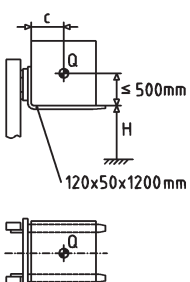
H (mm)	Q (kg)				
7000	1700	1530	1400	1290	
6800	1900	1710	1560	1440	
6600	2100	1890	1730	1590	
6500	2200	1990	1810	1670	
6400	2300	2080	1890	1740	
6300	2400	2170	1980	1820	
6200	2500	2260	2060	1890	
6100	2600	2350	2140	1970	
6000	2700	2440	2230	2050	
5900	2800	2530	2310	2120	
5800	2900	2620	2390	2200	
≤ 5900	3000	2710	2470	2270	
c (mm)	400 - 500	600	700	800	

E30 / 600 H, E30 / 600 HL



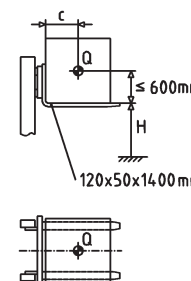
H (mm)	Q (kg)				
7000	2000	1820	1680	1550	
6900	2100	1910	1760	1630	
6800	2200	2000	1840	1710	
6700	2300	2100	1930	1790	
6600	2400	2190	2010	1860	
6500	2500	2280	2100	1940	
6400	2600	2370	2180	2020	
6300	2700	2460	2260	2100	
6200	2800	2550	2350	2170	
6100	2900	2640	2430	2250	
≤ 6000	3000	2740	2520	2330	
c (mm)	400 - 600	700	800	900	

E35 L / E35 HL



H (mm)	Q (kg)				
7000	2300	2080	1900	1740	
6900	2420	2190	2000	1840	
6800	2540	2290	2090	1930	
6700	2660	2400	2190	2020	
6600	2780	2510	2290	2110	
6500	2900	2620	2390	2200	
6400	3020	2730	2490	2290	
6300	3140	2840	2590	2380	
6200	3260	2950	2690	2480	
6100	3380	3050	2790	2570	
≤ 6000	3500	3160	2890	2660	
c (mm)	400 - 500	600	700	800	

E30 / 600 HL Beverage



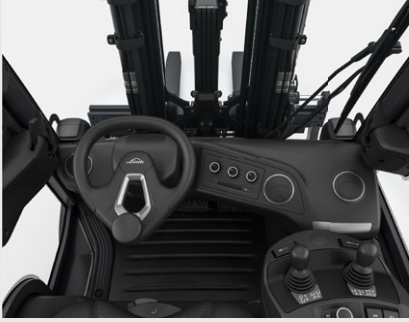
H (mm)	Q (kg)				
7000	2300	2100	1930	1790	
6900	2400	2190	2010	1860	
6800	2500	2280	2100	1940	
6700	2600	2370	2180	2020	
6600	2700	2460	2260	2100	
6500	2800	2550	2350	2170	
6400	2900	2640	2430	2250	
≤ 6300	3000	2740	2520	2330	
c (mm)	400 - 600	700	800	900	

STANDARD AND OPTIONAL EQUIPMENT

		E 20 - E 35
Safety	Linde Curve Assist - automatic drive speed reduction when cornering	●
	Electrical seat belt monitoring - Visual and acoustic feedback	●
	Linde Load Assist - increased safety at high lift heights	●
	BlueSpot and TruckSpot - optical warning signal for pedestrians and drivers	○
	Load weight indicator	○
	Linde Safety Pilot - load-dependent travel and lifting speed intervention plus additional functions	○
	Linde Safety Guard - truck to truck warning and truck to pedestrian warning	○
	Speed limitations (via switch, indoor-outdoor, load depending)	○
	Restraint systems (different options)	○
	Lightning: LED Stripes	○
	Lightning: VertiLight	○
	Motion Detection - registers movements in the back of the truck and prohibits the driving backwards	○
Digitalisation	Data Transmission Online	●
	Data Transmission Wifi	○
	Linde connect:desk - local fleet management with different functional modules	○
	Linde connect:cloud - fleet management as a service (hosted version)	○
	Pre-Operation-Check - individualizable daily check protocol for operational readiness	○
	Truck Call App - coordination of transport orders	○
Operation/ Load Handling	Double pedal control - stepless acceleration and fast reversing	●
	Single pedal control - stepless acceleration	○
	Linde Load Control - central levers fully integrated in the armrest of precise control of all hydraulic functions	●
	Individual Lever System	○
Workplace	Innovative decoupling concept with ring bearings for lowest human vibrations	●
	Ergonomic and safe truck access due to a low entry step and handle bar at a-pillar and bonnet	●
	Tilt adjustable steering column	●
	Overhead guard comfort for maximum head clearance	●
	Operator's seat - mechanical quick weight adjustment	●
	Various seating options such as heating, air suspension, active seat ventilation, longitudinal suspension	○
	Operator's seat - Swiveling seat	○
	Coloured 3.5" LED display with steering angle indicator, tilt angle indicator and remaining travel indicator	●
	Coloured 7" LED multifunction display integrates additional functions e.g. cameras and Linde Safety Pilot	○
	Top screen armored glass	○
	Alloy doors with openable window and door monitoring	○
	DIN A4 illuminated clipboard	○
	Fully integrated heater	○
	Fully integrated air conditioning inclusive defog function	○
Radio, DAB+, MP3 Player inclusive Bluetooth hands-free equipment	○	
Mast	Top mounted tilting cylinders - including maintenance free bearings	●
	Best visibility through asymmetric, nested mast profiles on standard, duplex, triplex mast	●
	Electronic damped tilt stop	●
	Hydraulic accumulator for high driving comfort and less wear	○
Attachment/ Forks	Reinforced Linde forks - easy adjustable and long life time	○
	Integrated sideshift with full lift capacity and roller guided	○
	Integrated fork positioner "view" for high residual capacities and optimized visibility	○
	Street sweeper preparation	○
Axles and Tyres	Combi steering axle	●
	Super Elastic (SE) tyres	●
	Closed Shoulder Tyres CS 20	○
	Pneumatic tyres	○
	Antistatic, non marking tyres	○
	Anti-spray mudflaps front and rear	○
Drive and Brake-System	Two motor front wheel drive	●
	Synchronous reluctance motor for lift and drive function	●
	Power setting efficiency, economy, performance	●
	Linde combi-steering axle - excellent maneuverability in smallest areas	○
	Automatic parking brake	●

● Standard equipment ○ Optional equipment

CHARACTERISTICS



Driver workplace

Ergonomics

- Spacious driver's cab and ergonomic seat ensure fatigue-free working
- Optimum view of both the load and surroundings
- Layout of control elements reduces the physical strain on the driver
- Separation of the workstation, mast, and drive and steering axles reduces physical strain on the driver, including on uneven surfaces



Linde combi steering axle

Handling

- The twin-motor front-wheel drive together with combi steering axle provides exceptional maneuverability
- Overhead tilt cylinder and warp-resistant mast design ensure safe load handling
- Synchronous reluctance motor for lift and drive function increases power and energy efficiency
- A choice between lead-acid, lithium-ion battery, or fuel cell energy-storage systems
- Wireless access to driver data allows data analysis and connection to logistic, safety, and fleet management systems



All-round visibility

Safety

- Chassis, A-pillar, mast, and roof construction provide the driver with optimum visibility of the load and surroundings
- The truck's low center of gravity reduces the risk of tipping
- Linde Curve Assist reduces speed in relation to the steering angle when cornering
- Linde Load Assist reduces the risk of tipping accidents when moving loads at height
- Automatic parking brake inclusive hill-hold function



Easy service access

Service

- Long service intervals e.g. 6000 h/3 years hydraulic oil/filter change
- Easy access to main components
- Driver display shows all important truck information to the driver
- Remote fault diagnosis and firmware updates can be conducted without a service technician, in turn saving costs
- Truck Health Monitoring enables comprehensive fault monitoring and faster fault localization wear and damage is identified early thus increasing truck availability
- Modular assemblies allow for quick replacement, shortening downtime during repairs

Subject to modification in the interest of progress. Illustrations and technical details could include options and not binding for actual constructions. All dimensions subject to usual tolerances.

Presented by:



Linde Material Handling GmbH

Carl-von-Linde-Platz | 63743 Aschaffenburg | Germany
Phone + 49 6021 99 0 | Fax + 49 6021 99 1570
www.linde-mh.com | info@linde-mh.com

Printed in Germany | 872.e.0,5.0621.lndA.se

Officina del Carrello
di Vidoni Giuseppe S.r.l.
T: +39 0432 600471
E: info@officinadelcarrello.it
www.officinadelcarrello.it

P. IVA e Cod. Fisc. IT01872940307
Capitale sociale € 100.000,00 i.v.
R.E.A. UD201577