



Electric Heavy Trucks

E100 – E180

Capacity 10.0 t – 18.0 t | Series 1471

PB ION

Silent Power Athlete

- Powerful all-electric forklift combining high performance with zero emissions
- Heavy duty transport of loads up to 18000 kg with lift heights up to 9.5 m
- Excellent all-round visibility
- Choice of lead-acid or lithium-ion batteries for maximum flexibility
- Lead-acid batteries offer a highly cost-effective power solution

TECHNICAL DATA (according to VDI 2198)

Characteristics	1.1	Manufacturer (abbreviation)		Linde MH	Linde MH	Linde MH
	1.2	Manufacturer's type designation		E150/600	E160/600	E180/600
	1.2a	Series		1471	1471	1471
	1.3	Drive		Battery	Battery	Battery
	1.4	Operation		Seat	Seat	Seat
	1.5	Rated capacity/rated load	Q (t)	15.0	16.0	18.0
	1.6	Load centre distance	c (mm)	600	600	600
	1.8	Load distance, centre of drive axle to fork	x (mm)	884	884	884
	1.9	Wheelbase	y (mm)	3250	3250	3250
Weight	2.1	Service weight	kg	23213	24731	25961
	2.2	Axle loading, laden front/rear	kg	35052/3161	36859/3872	39574/4387
	2.3	Axle loading, unladen front/rear	kg	13203/10010	13553/11178	13355/12606
Tyres/chassis	3.1	Tyres: solid rubber, superelastic, pneumatic, polyurethane		Pneumatic	Pneumatic	Pneumatic
	3.2	Tyre size, front		12.00 × 20/20 PR	12.00 × 20/20 PR	12.00 × 20/20 PR
	3.3	Tyre size, rear		12.00 × 20/20 PR	12.00 × 20/20 PR	12.00 × 20/20 PR
	3.5	Wheels, number front/rear (× = driven wheels)		4x/2	4x/2	4x/2
	3.6	Tread, front	b10 (mm)	1874	1874	1874
	3.7	Tread, rear	b11 (mm)	1970	1970	1970
	Dimensions	4.1	Mast/fork carriage tilt, forward/backwards	α/β (°)	15.0/10.0 ¹⁾	15.0/10.0 ¹⁾
4.2		Mast height, lowered	h1 (mm)	3736 ²⁾	3736 ²⁾	3736 ²⁾
4.3		Free lift	h2 (mm)	150	150	150
4.4		Lift	h3 (mm)	4000	4000	4000
4.5		Mast height, extended	h4 (mm)	5661	5661	5661
4.7		Height of overhead guard (cabin)	h6 (mm)	3035	3035	3035
4.8		Seat height relating to SIP/stand height	h7 (mm)	2004	2004	2004
4.12		Coupling height	h10 (mm)	580	580	580
4.19		Overall length	l1 (mm)	6016	6016	6171
4.20		Length to fork face	l2 (mm)	4816	4816	4971
4.21		Overall width	b1/b2 (mm)	2565/2300	2565/2300	2565/2300
4.22		Fork dimensions DIN ISO 2331	s/e/l (mm)	100/200/1200	100/200/1200	100/200/1200
4.23		Fork carriage ISO 2328, class/type A, B		Hyd Fork Posn.	Hyd Fork Posn.	Hyd Fork Posn.
4.24		Fork carriage width	b3 (mm)	2545	2545	2545
4.25		Fork spread	b5 (mm)	620/2220	620/2220	620/2220
4.31		Ground clearance, laden, below mast	m1 (mm)	200 ⁴⁾	200 ⁴⁾	200 ⁴⁾
4.32		Ground clearance, centre of wheelbase	m2 (mm)	376	376	376
4.33		Load dimension b12 × l6	b12 × l6 (mm)	-	-	-
4.34		Aisle width predetermined load dimensions	Ast (mm)	-	-	-
4.34.1		Aisle width for pallets 1000 × 1200 crossways	Ast (mm)	6422 ³⁾	6422 ³⁾	6596 ³⁾
4.34.2	Aisle width for pallets 800 × 1200 lengthways	Ast (mm)	6622 ³⁾	6622 ³⁾	6796 ³⁾	
4.35	Turning radius	Wa (mm)	4338	4338	4512	
4.36	Inside turning radius	b13 (mm)	1405	1405	1405	
Performance data	5.1	Travel speed, laden/unladen	km/h	18/20	18/20	18/20
	5.2	Lifting speed, laden/unladen	m/s	0.39/0.39	0.39/0.39	0.39/0.39
	5.3	Lowering speed, laden/unladen	m/s	0.5/0.49	0.5/0.49	0.5/0.49
	5.5	Drawbar pull, laden/unladen	N	106000	106000	106000
	5.7	Gradeability, laden/unladen	%	n.A.	n.A.	n.A.
	5.9	Acceleration time, laden/unladen	s	n.A.	n.A.	n.A.
Electric-engine	6.1	Drive motor rating S2 60 min	kW	4 × 18	4 × 18	4 × 18
	6.2	Lift motor rating at S3 15%	kW	4 × 25	4 × 25	4 × 25
	6.3	Battery according to DIN 43531/35/36 A, B, C, no		43 536 A	43 536 A	43 536 A
	6.4	Battery voltage/nominal capacity K 5	(V)/(Ah) o. kWh	2x 80/1240	2x 80/1240	2x 80/1240
	6.4.a	Battery energy content	kWh	2x 79.36	2x 79.36	2x 79.36
	6.5	Battery weight (±5%)	kg	2x 2785	2x 2785	2x 2785
	6.6	Energy consumption according to DIN EN 16796	kWh/h	n.A.	n.A.	n.A.
Additional data	10.1	Operating pressure for attachments	bar	250	250	250
	10.2	Oil flow for attachments	l/min	5-130	5-130	5-130
	10.7	Sound pressure level LpAZ (at the operator's seat)	dB(A)	70	70	70
	10.8	Towing coupling, design/type, DIN		Ø 50 mm	Ø 50 mm	Ø 50 mm
	11.2	Static stability		1.46	1.53	1.53

1) Interlock at 5° forward tilt angle

2) With 150 mm free lift

3) Including a 200 mm (min.) operating aisle clearance

4) Ground clearance to chassis is 287 mm

TECHNICAL DATA (according to VDI 2198)

	Characteristics			Linde MH	Linde MH	Linde MH
				E180/900	E100/1200	E120/1200
Characteristics	1.1	Manufacturer (abbreviation)		Linde MH	Linde MH	Linde MH
	1.2	Manufacturer's type designation		E180/900	E100/1200	E120/1200
	1.2a	Series		1471	1471	1471
	1.3	Drive		Battery	Battery	Battery
	1.4	Operation		Seat	Seat	Seat
	1.5	Rated capacity/rated load	Q (t)	18.0	10.0	12.0
	1.6	Load centre distance	c (mm)	900	1200	1200
	1.8	Load distance, centre of drive axle to fork	x (mm)	929	884	884
	1.9	Wheelbase	y (mm)	3500	3000	3250
Weight	2.1	Service weight	kg	27345	24062	24457
	2.2	Axle loading, laden front/rear	kg	41539/3806	30317/3745	33322/3135
	2.3	Axle loading, unladen front/rear	kg	14133/13212	13370/10692	13627/10830
Tyres/chassis	3.1	Tyres: solid rubber, superelastic, pneumatic, polyurethane		Pneumatic	Pneumatic	Pneumatic
	3.2	Tyre size, front		12.00 × 20/20 PR	12.00 × 20/20 PR	12.00 × 20/20 PR
	3.3	Tyre size, rear		12.00 × 20/20 PR	12.00 × 20/20 PR	12.00 × 20/20 PR
	3.5	Wheels, number front/rear (× = driven wheels)		4x/2	4x/2	4x/2
	3.6	Tread, front	b10 (mm)	1874	1874	1874
	3.7	Tread, rear	b11 (mm)	1970	1970	1970
	Dimensions	4.1	Mast/fork carriage tilt, forward/backwards	α/β (°)	15.0/10.0 ¹⁾	15.0/10.0 ¹⁾
4.2		Mast height, lowered	h1 (mm)	3736 ²⁾	3736 ²⁾	3736 ²⁾
4.3		Free lift	h2 (mm)	150	150	150
4.4		Lift	h3 (mm)	4000	4000	4000
4.5		Mast height, extended	h4 (mm)	5661	5661	5661
4.7		Height of overhead guard (cabin)	h6 (mm)	3035	3035	3035
4.8		Seat height relating to SIP/stand height	h7 (mm)	2004	2004	2004
4.12		Coupling height	h10 (mm)	580	580	580
4.19		Overall length	l1 (mm)	7066	6984	7216
4.20		Length to fork face	l2 (mm)	5266	4584	4816
4.21		Overall width	b1/b2 (mm)	2565/2300	2565/2300	2565/2300
4.22		Fork dimensions DIN ISO 2331	s/e/l (mm)	100/250/1800	100/200/2400	100/200/2400
4.23		Fork carriage ISO 2328, class/type A, B		Hyd Fork Posn.	Hyd Fork Posn.	Hyd Fork Posn.
4.24		Fork carriage width	b3 (mm)	2545	2545	2545
4.25		Fork spread	b5 (mm)	720/2290	620/2220	620/2220
4.31		Ground clearance, laden, below mast	m1 (mm)	200 ⁴⁾	200 ⁴⁾	200 ⁴⁾
4.32		Ground clearance, centre of wheelbase	m2 (mm)	376	376	376
4.33		Load dimension b12 × l6	b12 × l6 (mm)	2000 × 1800	2000 × 2400	2000 × 2400
4.34		Aisle width predetermined load dimensions	Ast (mm)	7683 ³⁾	7586 ³⁾	7822 ³⁾
4.34.1		Aisle width for pallets 1000 × 1200 crossways	Ast (mm)	-	-	-
4.34.2	Aisle width for pallets 800 × 1200 lengthways	Ast (mm)	-	-	-	
4.35	Turning radius	Wa (mm)	4754	4102	4338	
4.36	Inside turning radius	b13 (mm)	1448	1362	1405	
Performance data	5.1	Travel speed, laden/unladen	km/h	18/20	18/20	18/20
	5.2	Lifting speed, laden/unladen	m/s	0.39/0.39	0.39/0.39	0.39/0.39
	5.3	Lowering speed, laden/unladen	m/s	0.5/0.49	0.5/0.49	0.5/0.49
	5.5	Drawbar pull, laden/unladen	N	106000	106000	106000
	5.7	Gradeability, laden/unladen	%	n.A.	n.A.	n.A.
	5.9	Acceleration time, laden/unladen	s	n.A.	n.A.	n.A.
Electric-engine	6.1	Drive motor rating S2 60 min	kW	4 × 18	4 × 18	4 × 18
	6.2	Lift motor rating at S3 15%	kW	4 × 25	4 × 25	4 × 25
	6.3	Battery according to DIN 43531/35/36 A, B, C, no		43 536 A	43 536 A	43 536 A
	6.4	Battery voltage/nominal capacity K 5	(V)/(Ah) o. kWh	2x 80/1240	2x 80/930	2x 80/1240
	6.4.a	Battery energy content	kWh	2x 79.36	2x 59.52	2x 79.36
	6.5	Battery weight (±5%)	kg	2x 2785	2x 2178	2x 2785
6.6	Energy consumption according to DIN EN 16796	kWh/h	n.A.	n.A.	n.A.	
Additional data	10.1	Operating pressure for attachments	bar	250	250	250
	10.2	Oil flow for attachments	l/min	5-130	5-130	5-130
	10.7	Sound pressure level LpAZ (at the operator's seat)	dB(A)	70	70	70
	10.8	Towing coupling, design/type, DIN		Ø 50 mm	Ø 50 mm	Ø 50 mm
	11.2	Static stability		1.4	1.54	1.41

1) Interlock at 5° forward tilt angle

2) With 150 mm free lift

3) Including a 200 mm (min.) operating aisle clearance

4) Ground clearance to chassis is 287 mm

TECHNICAL DATA (according to VDI 2198)

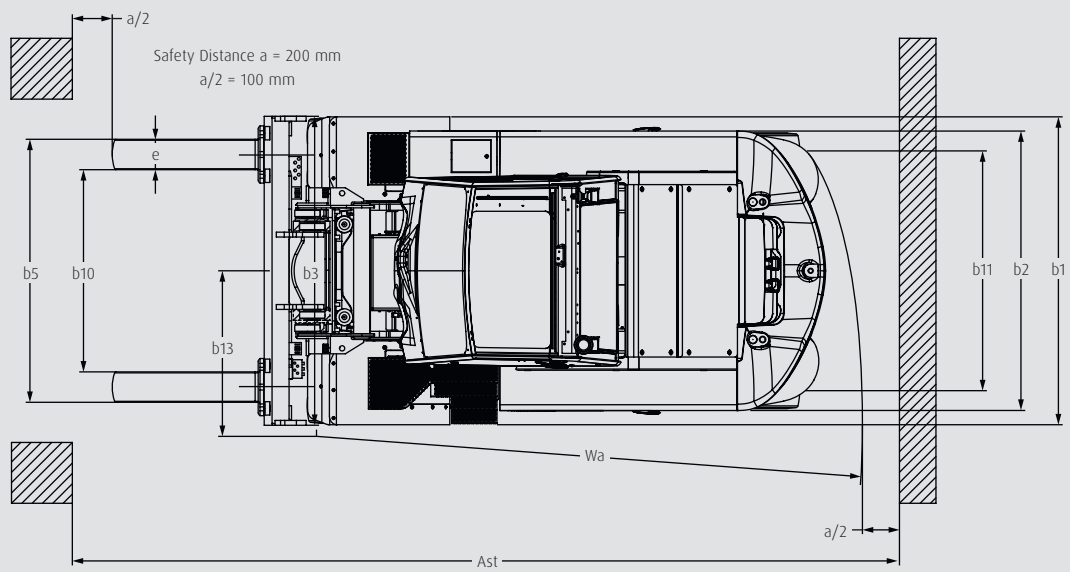
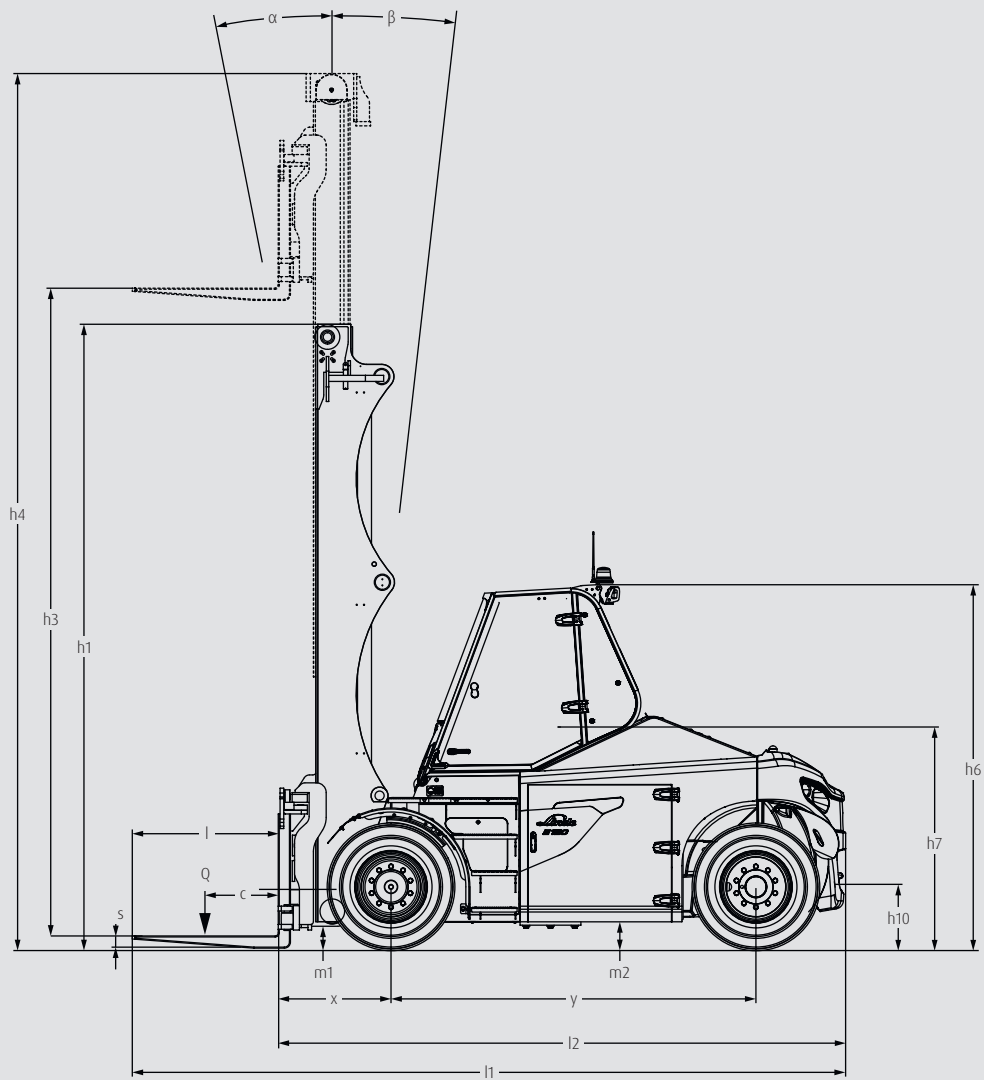
			Linde MH	Linde MH	Linde MH
			E140/1200	E150/1200	E160/1200
Characteristics	1.1	Manufacturer (abbreviation)		Linde MH	Linde MH
	1.2	Manufacturer's type designation		E140/1200	E150/1200
	1.2a	Series		1471	1471
	1.3	Drive		Battery	Battery
	1.4	Operation		Seat	Seat
	1.5	Rated capacity/rated load	Q (t)	14.0	15.0
	1.6	Load centre distance	c (mm)	1200	1200
	1.8	Load distance, centre of drive axle to fork	x (mm)	929	929
	1.9	Wheelbase	y (mm)	3250	3500
Weight	2.1	Service weight	kg	26483	26877
	2.2	Axle loading, laden front/rear	kg	37245/3238	38276/3601
	2.3	Axle loading, unladen front/rear	kg	14074/12409	14152/12725
Tyres/chassis	3.1	Tyres: solid rubber, superelastic, pneumatic, polyurethane		Pneumatic	Pneumatic
	3.2	Tyre size, front		12.00 × 20/20 PR	12.00 × 20/20 PR
	3.3	Tyre size, rear		12.00 × 20/20 PR	12.00 × 20/20 PR
	3.5	Wheels, number front/rear (× = driven wheels)		4x/2	4x/2
	3.6	Tread, front	b10 (mm)	1874	1874
	3.7	Tread, rear	b11 (mm)	1970	1970
	Dimensions	4.1	Mast/fork carriage tilt, forward/backwards	α/β (°)	15.0/10.0 ¹⁾
4.2		Mast height, lowered	h1 (mm)	3736 ²⁾	3736 ²⁾
4.3		Free lift	h2 (mm)	150	150
4.4		Lift	h3 (mm)	4000	4000
4.5		Mast height, extended	h4 (mm)	5661	5661
4.7		Height of overhead guard (cabin)	h6 (mm)	3035	3035
4.8		Seat height relating to SIP/stand height	h7 (mm)	2004	2004
4.12		Coupling height	h10 (mm)	580	580
4.19		Overall length	l1 (mm)	7416	7666
4.20		Length to fork face	l2 (mm)	5016	5266
4.21		Overall width	b1/b2 (mm)	2565/2300	2565/2300
4.22		Fork dimensions DIN ISO 2331	s/e/l (mm)	100/250/2400	100/250/2400
4.23		Fork carriage ISO 2328, class/type A, B		Hyd Fork Posn.	Hyd Fork Posn.
4.24		Fork carriage width	b3 (mm)	2545	2545
4.25		Fork spread	b5 (mm)	720/2290	720/2290
4.31		Ground clearance, laden, below mast	m1 (mm)	200 ⁴⁾	200 ⁴⁾
4.32		Ground clearance, centre of wheelbase	m2 (mm)	376	376
4.33		Load dimension b12 × l6	b12 × l6 (mm)	2000 × 2400	2000 × 2400
4.34		Aisle width predetermined load dimensions	Ast (mm)	8041 ³⁾	8283 ³⁾
4.34.1		Aisle width for pallets 1000 × 1200 crossways	Ast (mm)	-	-
4.34.2	Aisle width for pallets 800 × 1200 lengthways	Ast (mm)	-	-	
4.35	Turning radius	Wa (mm)	4512	4754	
4.36	Inside turning radius	b13 (mm)	1405	1448	
Performance data	5.1	Travel speed, laden/unladen	km/h	18/20	18/20
	5.2	Lifting speed, laden/unladen	m/s	0.39/0.39	0.39/0.39
	5.3	Lowering speed, laden/unladen	m/s	0.5/0.49	0.5/0.49
	5.5	Drawbar pull, laden/unladen	N	106000	106000
	5.7	Gradeability, laden/unladen	%	n.A.	n.A.
	5.9	Acceleration time, laden/unladen	s	n.A.	n.A.
Electric-engine	6.1	Drive motor rating S2 60 min	kW	4 × 18	4 × 18
	6.2	Lift motor rating at S3 15%	kW	4 × 25	4 × 25
	6.3	Battery according to DIN 43531/35/36 A, B, C, no		43 536 A	43 536 A
	6.4	Battery voltage/nominal capacity K 5	(V)/(Ah) o. kWh	2x 80/1240	2x 80/1240
	6.4.a	Battery energy content	kWh	2x 79.36	2x 79.36
	6.5	Battery weight (±5%)	kg	2x 2785	2x 2785
6.6	Energy consumption according to DIN EN 16796	kWh/h	n.A.	n.A.	
Additional data	10.1	Operating pressure for attachments	bar	250	250
	10.2	Oil flow for attachments	l/min	5-130	5-130
	10.7	Sound pressure level LpAZ (at the operator's seat)	dB(A)	70	70
	10.8	Towing coupling, design/type, DIN		Ø 50 mm	Ø 50 mm
	11.2	Static stability		1.35	1.39

1) Interlock at 5° forward tilt angle

2) With 150 mm free lift

3) Including a 200 mm (min.) operating aisle clearance

4) Ground clearance to chassis is 287 mm



MAST TABLES

STANDARD MAST (in mm)

Series	177																																		
Lift	h3: 3500			h3: 4000			h3: 4500			h3: 5000			h3: 5500			h3: 6000			h3: 6500																
Height measurements	h1: 3080	h1#: 3155	h2: 150	h3+s: 3590	h4: 4830	h1: 3330	h1#: 3155	h2: 150	h3+s: 4090	h4: 5530	h1: 3580	h1#: 3655	h2: 150	h3+s: 4590	h4: 5830	h1: 3830	h1#: 3905	h2: 150	h3+s: 5090	h4: 6330	h1: 4080	h1#: 4155	h2: 150	h3+s: 5590	h4: 6830	h1: 4330	h1#: 4405	h2: 150	h3+s: 6090	h4: 7330	h1: 4580	h1#: 4655	h2: 150	h3+s: 6590	h4: 7830
Manufacturer's type designation																																			
E100/600	<input type="radio"/>			<input type="radio"/>			<input type="radio"/>			<input type="radio"/>			<input type="radio"/>			<input type="radio"/>			<input type="radio"/>			<input type="radio"/>													
E120/600	<input type="radio"/>			<input type="radio"/>			<input type="radio"/>			<input type="radio"/>			<input type="radio"/>			<input type="radio"/>			<input type="radio"/>																

Series	178																			
Lift	h3: 3500		h3: 4000		h3: 4500		h3: 5000													
Height measurements	h1: 3410	h1#: 3485	h2: 150	h3+s: 3600	h4: 5160	h1: 3660	h1#: 3736	h2: 150	h3+s: 4100	h4: 5661	h1: 3910	h1#: 3985	h2: 150	h3+s: 4600	h4: 6160	h1: 4160	h1#: 4235	h2: 150	h3+s: 5100	h4: 6600
Manufacturer's type designation																				
E100/1200	<input type="radio"/>		<input type="radio"/>		<input type="radio"/>		<input type="radio"/>													
E120/1200	<input type="radio"/>		<input type="radio"/>		<input type="radio"/>		<input type="radio"/>													
E140/600	<input type="radio"/>		<input type="radio"/>		<input type="radio"/>		<input type="radio"/>													
E150/600	<input type="radio"/>		<input type="radio"/>		<input type="radio"/>		<input type="radio"/>													
E160/600	<input type="radio"/>		<input type="radio"/>		<input type="radio"/>		<input type="radio"/>													
E180/600	<input type="radio"/>		<input type="radio"/>		<input type="radio"/>		<input type="radio"/>													

Series	178																			
Lift	h3: 5500		h3: 6000		h3: 6500		h3: 7000													
Height measurements	h1: 4410	h1#: 4485	h2: 150	h3+s: 5600	h4: 7160	h1: 4660	h1#: 4735	h2: 150	h3+s: 6100	h4: 7660	h1: 4910	h1#: 4985	h2: 150	h3+s: 6600	h4: 8160	h1: 5160	h1#: 5235	h2: 150	h3+s: 7100	h4: 8660
Manufacturer's type designation																				
E100/1200	<input type="radio"/>		<input type="radio"/>		<input type="radio"/>		<input type="radio"/>													
E120/1200	<input type="radio"/>		<input type="radio"/>		<input type="radio"/>		<input type="radio"/>													
E140/600	<input type="radio"/>		<input type="radio"/>		<input type="radio"/>		<input type="radio"/>													
E150/600	<input type="radio"/>		<input type="radio"/>		<input type="radio"/>		<input type="radio"/>													
E160/600	<input type="radio"/>		<input type="radio"/>		<input type="radio"/>		<input type="radio"/>													
E180/600	<input type="radio"/>		<input type="radio"/>		<input type="radio"/>		<input type="radio"/>													

Series	179																			
Lift	h3: 3500		h3: 4000		h3: 4500		h3: 5000													
Height measurements	h1: 3410	h1#: 3485	h2: 150	h3+s: 3600	h4: 5160	h1: 3660	h1#: 3736	h2: 150	h3+s: 4100	h4: 5661	h1: 3910	h1#: 3985	h2: 150	h3+s: 4600	h4: 6160	h1: 4160	h1#: 4235	h2: 150	h3+s: 5100	h4: 6600
Manufacturer's type designation																				
E140/1200	<input type="radio"/>		<input type="radio"/>		<input type="radio"/>		<input type="radio"/>													
E150/1200	<input type="radio"/>		<input type="radio"/>		<input type="radio"/>		<input type="radio"/>													
E160/1200	<input type="radio"/>		<input type="radio"/>		<input type="radio"/>		<input type="radio"/>													
E180/900	<input type="radio"/>		<input type="radio"/>		<input type="radio"/>		<input type="radio"/>													

Series	179																			
Lift	h3: 5500		h3: 6000		h3: 6500		h3: 7000													
Height measurements	h1: 4410	h1#: 4485	h2: 150	h3+s: 5600	h4: 7160	h1: 4660	h1#: 4735	h2: 150	h3+s: 6100	h4: 7660	h1: 4910	h1#: 4985	h2: 150	h3+s: 6600	h4: 8160	h1: 5160	h1#: 5235	h2: 150	h3+s: 7100	h4: 8660
Manufacturer's type designation																				
E140/1200	<input type="radio"/>		<input type="radio"/>		<input type="radio"/>		<input type="radio"/>													
E150/1200	<input type="radio"/>		<input type="radio"/>		<input type="radio"/>		<input type="radio"/>													
E160/1200	<input type="radio"/>		<input type="radio"/>		<input type="radio"/>		<input type="radio"/>													
E180/900	<input type="radio"/>		<input type="radio"/>		<input type="radio"/>		<input type="radio"/>													

○ Optional equipment

h1: Height of mast, lowered
h3: Lift

h1#: Height of mast with free lift
h3 + s: Lift height

h2: Free lift
h4: Height of mast, extended

STANDARD AND OPTIONAL EQUIPMENT

Manufacturer's type designation/equipment		E100 - E180
Safety	Audible reverse alarm (85 dB)	●
	"Operator absent" switch	●
	Truck speed limiting (switch inside cabin)	○
	Overhead guard add-ons for front screen, top and rear window	○
	Forward and reverse camera systems	○
	BlueSpot, TruckSpot, LED-warning lines	○
Digitalisation	Linde connect:ac access control - via PIN	○
	Linde connect:ac access control - via RFID	○
Operation/load handling	Twin pedal control	○
	Single pedal control with direction selection switch in armrest	○
	Linde Load Control for all lift mast functions	●
	Linde Load Weight Indicator (±1000 kg)	●
	Linde Load Weight Indicator (±100 kg)	○
	Electrically powered, forward tilting cabin	●
Environment	Underbody protection	●
	Rear wheel screw protection	○
	Steel mudguards	○
Workplace	Open cabin with armoured glass roof	●
	Deluxe-cabin, with tinted glass, heated rear screen and armoured glass roof	○
	Sun blinds for front and top screen	○
	Colour touch screen display (7")	●
	Adjustable operator's seat with integrated suspension system	●
	Comfort operator's seat with pneumatic suspension and active climate control	○
	Rotating operator's seat (10° or 17° to the right)	○
	Adjustable steering column	●
	Orange lap type seat belt	●
	External rear-view mirrors	●
	Internal rear-view mirror	●
	Heater/Climate control	○
	DAB-radio with MP3, USB, bluetooth and speakerphone	○
	USB charging port	●
	12V socket	●
	Storage space for documents, beverage cans, etc.	●
	Armrest with storage box	●
Document holder	○	
Cup holder	○	
Mast	Standard mast, 2430 - 9500 mm lift height	○
	Duplex full free lift mast, 2580 - 7000 mm lift height	○
	Triplex full free lift mast, 5500 - 8100 mm lift height	○
	Hydraulic accumulator	○
Attachment/forks	Fork carriages: non-hydraulic, hydraulic, multifunction - width b3 = 2545 mm	○
	Fork carriage widths: 3000 mm, 3500 mm, 4000 mm, 4500 mm	○
	Forks: integrated, hook-on, fully tapered - length = 1150 - 2400 mm	○
	Alternative attachments: hydraulically leveling carriage, coil booms, special forks	○
Axles and tyres	Trelleborg or similar premium pneumatic tyres	●
	SE tyres	○
	SE non-marking tyres	○
	Bonfiglioli electric drive axle	●
Lighting	LED working lights	○
	Full road lighting	○
	External step lighting	○
	Safety lighting for on/off access steps	○

● Standard equipment

○ Optional equipment

CHARACTERISTICS



Best in class all-round visibility

Safety

- Excellent all-round visibility guarantees maximum safety in operation
- Armoured glass roof ensures unobstructed visibility and safety when stacking loads
- Audible reverse alarm warns co-workers of truck operation
- Optional equipment e.g. cameras, BlueSpots and LED warning lines increase safety around the truck



Spacious and comfortable driver's work station

Ergonomics

- Ergonomic workplace enhances operator comfort and reduce fatigue
- Precise operation of electric drive train guarantees efficient, stress-free working
- Linde Load Control ensures low effort and high handling accuracy
- Healthy, comfortable workplace due to low noise and zero-emissions



Linde Double Pedal for precise and efficient handling

Handling

- Intuitive and predictable operating behaviour aids productivity
- Precise and direct steering
- Responsive and precise hydraulic performance ensures accurate operation
- Dynamic acceleration supports outstanding handling comfort



Service access through tiltable cabin

Service

- Electric cabin tilt function facilitates access to all central components
- Well-proven Linde standard components simplifies repairs
- Quick, easy battery change reduces downtime
- Simple, fast changeover from lead-acid to lithium-ion in truck software

Subject to modification in the interest of progress. Illustrations and technical details could include options and are not binding for actual constructions. All dimensions subject to usual tolerances.

Presented by:

 **OFFICINA del CARRELLO**
www.officinadelcarrello.it





Linde Material Handling GmbH
Carl-von-Linde-Platz | 63743 Aschaffenburg | Germany
Phone + 49 6021 99 0 | Fax + 49 6021 99 1570
www.linde-mh.com | info@linde-mh.com

DS_E100_E180_1471_en_C_0225

T: +39 0432 600471
E: info@officinadelcarrello.it
www.officinadelcarrello.it

Officina del Carrello
di Vidoni Giuseppe S.r.l.
Via Slovenia, 2 - Z.A.U.
33100 Udine - Italy